

Maestro Wireless® Plug-In Dimmers

Maestro Wireless RF Plug-In Dimmers function like standard dimmers and have an integral microprocessor, allowing them to be incorporated into *Maestro Wireless* solutions. Communication with the system is accomplished via radio frequency (RF). Plug-in Dimmers are useful in locations where plug-in lamps need to be dimmed/switched. RF Lamp Dimmers incorporate advanced features such as fade on / fade off, slow fade off, and rapid full on.

Features

- Dim any incandescent/halogen, or configure to switch non-dimmable, table or floor lamps up to 300 W.
- Light level can be adjusted as part of lighting scenes through Pico® controls.
- Standby power draw <0.5 W.
- Can be hidden discretely behind furniture.

Design Considerations

- For lamps with integral switches, the integral switch must be left in the “on” position or removed from the lamp.
- Always use a bulb that remains within the manufacturers wattage rating of the table or floor lamp.

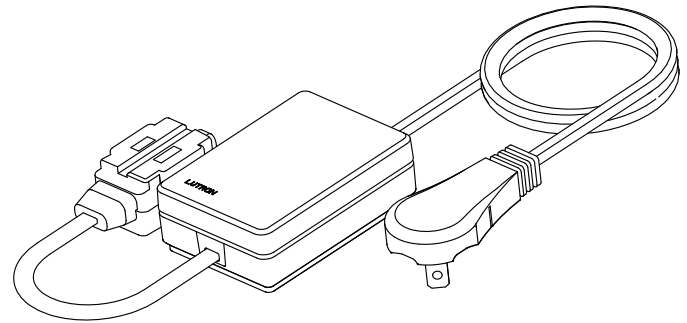
Model Numbers

RF Plug-in Modules

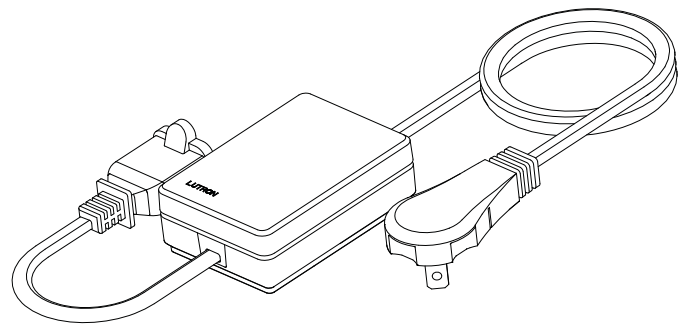
MRF2-3PD-3-XX (3 receptacles)

MRF2-3PD-1-XX (1 receptacle)

XX = indicates color choice



MRF2-3PD-3-XX



MRF2-3PD-1-XX

Job Name:

Model Numbers:

Job Number:

Specifications

Standards

- UL listed to UL 817 Power Supply connector, UL244A Dimming Electronics, UL508 Energy Management Equipment.
- FCC approved. Complies with the limits for a Class B digital device, pursuant to Part 15 of the FCC rules.
- CUL listed and NOM listed to equivalent safety standards.
- IC and SCT approved to equivalent RF standards.

Power / Performance

- Operating voltage: 120 V~ 50/60 Hz

System Communication

- Communicates at 434 MHz through Clear Connect™ RF Technology for reliable wireless communication

Environment

- Ambient operating temperature: 32 – 104 °F (0 – 40 °C)
- Maximum 90% non-condensing relative humidity
- Indoor use only

Warranty

- 1-year limited warranty
- 2-year full parts and labor warranty, with 8-year pro-rated parts replacement on commissioned systems

Load

- 10 W minimum, 300 W maximum incandescent/ halogen lamps when dimming
- Can be configured to switch non-dimmable lighting loads
- Always use a bulb that remains within the manufacturer's wattage rating of the table of floor lamp
- This device is NOT an extension cord and should not be used for any load other than lighting loads

Key Design Features

- Green LED status indicators show current load status
- Adjustable maximum light level provides energy savings and extended bulb life
- Can be configured as a switch for non-dimmable loads
- Power failure memory: If power is interrupted, when the power is restored the lamp will return to its previously set level prior to the interruption

System Communication and Capacity

- *Maestro Wireless* RF Lamp Dimmers communicate with the ceiling mount occupancy sensors and Pico® wireless controls through radio frequency (RF).
- *Maestro Wireless* local controls must be located within 60 ft (18 m) line of sight or 30 ft (9 m) through walls of a Radio Powr Savr™ sensor.
- *Maestro Wireless* local controls must be located within 100 ft (30 m) line of sight or 30 ft (9 m) through walls, of a *Pico* wireless control.
- Up to 10 *Maestro Wireless* controls can be configured to work together.

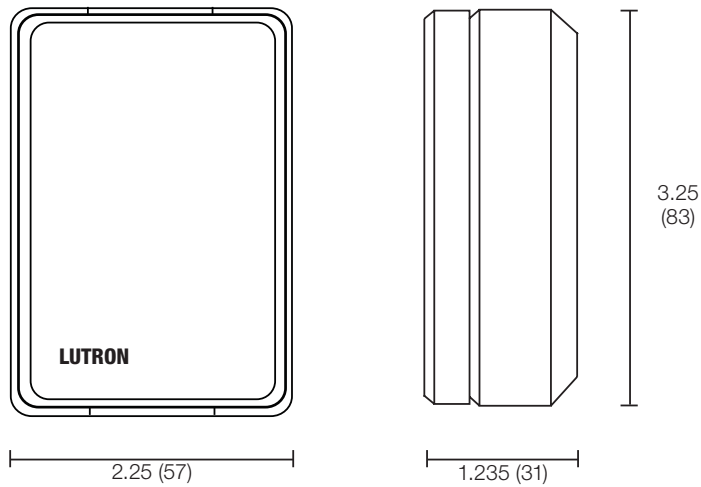
Available Colors

- White (WH)
- Black (BL)

<p>Job Name:</p> <p>Job Number:</p>	<p>Model Numbers:</p>
--	------------------------------

Mechanical Dimensions

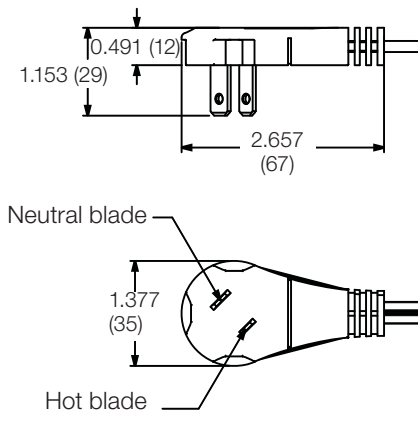
Dimensions are in inches (mm)



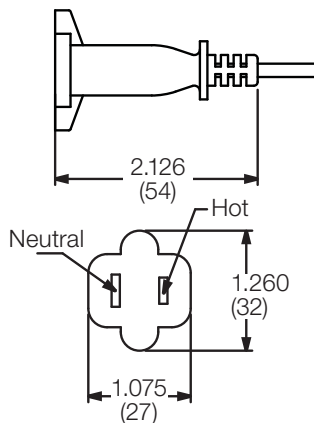
Plug Details

- Male plug on 24 in (610 mm) cord
- Female receptacle on 6 in (150 mm) cord

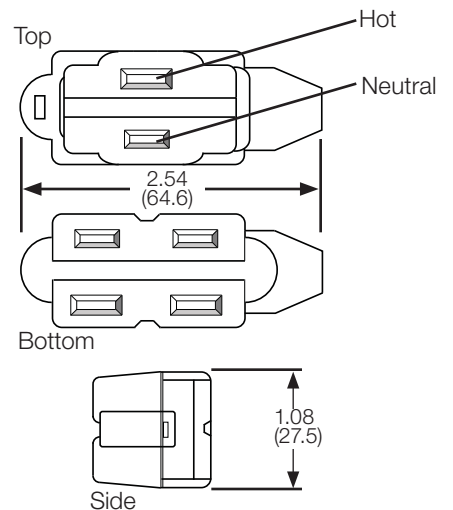
Male Plug, 45°
Both Models



Female Plug
MRF2-3PD-1



Female Plug
MRF2-3PD-3



Above measurements are for reference only.

Job Name:	Model Numbers:
Job Number:	