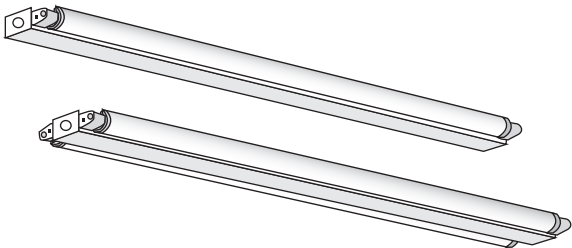


Series SM

Side Mount Strip



MOUNTING

Surface mount. See end of chapter T02Strip for accessory mount kits.

LISTING

Fixture and Ballast: UL Listed.
 Ballast: Thermally protected, class P, HPF, Non PCB; unless specified otherwise.

TYPICAL OPTIONS AND ACCESSORIES

Emergency ballasts, whips, fuses, and cord sets. See options page at the end of the T02Strip section, or contact factory for more details.

FEATURES & SPECIFICATIONS

INTENDED USE

Specification grade, side mount strip for interior warehouse, retail, and utility areas requiring side mount configurations for shallow depth in a commercial quality narrow strip body.

SIZE W x L x H in inches (mm)

2.75W x 2.0H (70 x 50)
 Fixture length = lamp(s) length

LAMP

1 or 2 lamp positions.

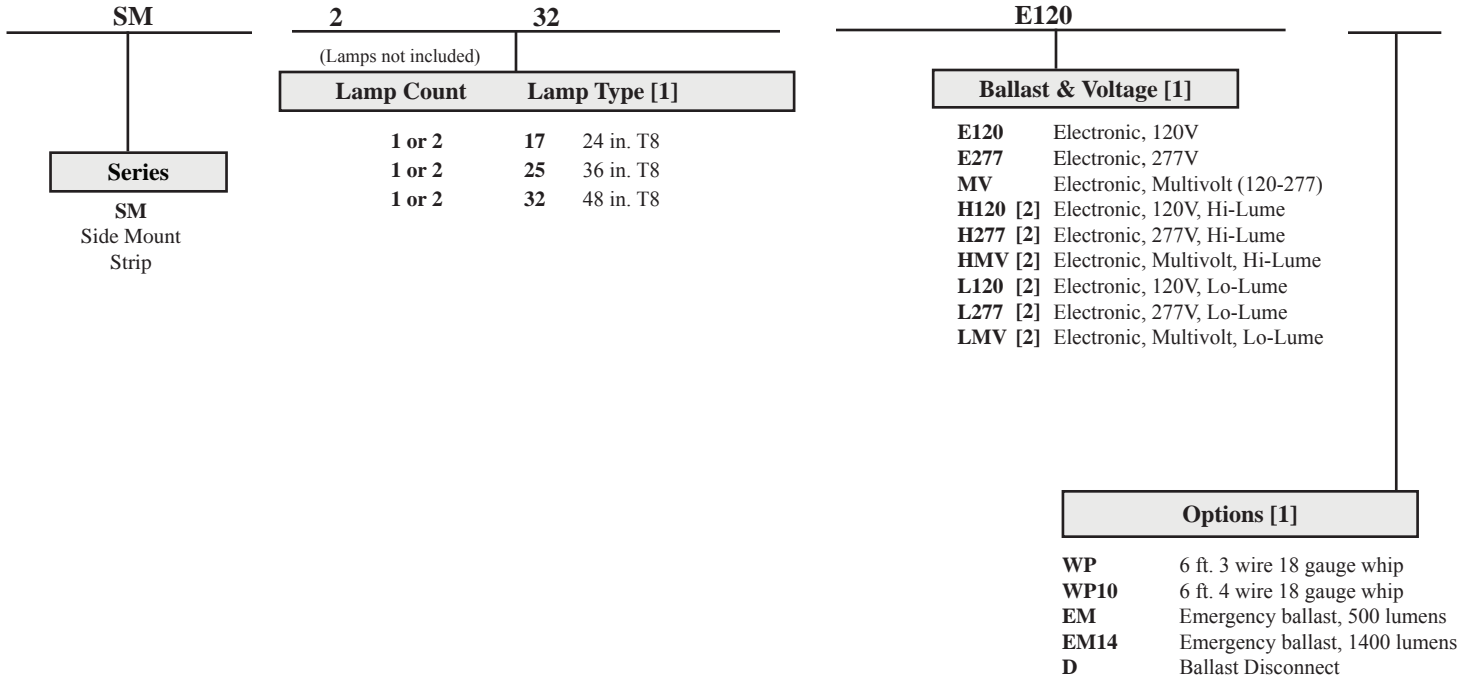
MATERIALS & FEATURES

Housing is die-formed and embossed code 22 gage steel. Finish is high reflectance baked white enamel. Wiring knockouts are provided at end of housing. Ballast covers attach without tools to simplify ballast access.

- Single unit length and tandem fixtures available in most lamp styles.
- Available in single or dual lamp configurations.

ORDERING INFORMATION

Example: SM 232 E120

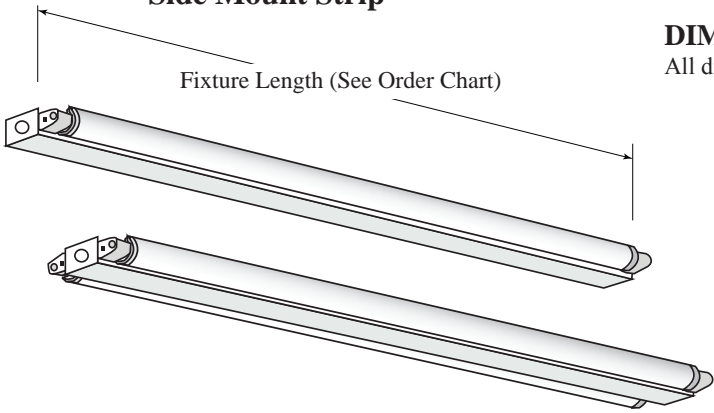


Notes

[1] See end of T02Strip section for many additional lamps, ballasts, finishes, and options.
 [2] HiLume and LoLume ballasts available for t8 lamps only.

Series SM

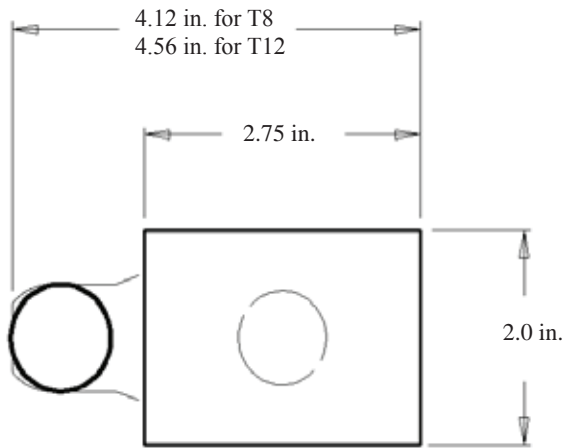
Side Mount Strip



DIMENSIONS

All dimensions are inches. Specifications subject to change without notice.

One Lamp



Two Lamp

