

# NTM-713

## 6" Air-Tight Aluminum Baffle Cone Reflector

Type	
Project	
Catalog No.	
Notes	

### CONSTRUCTION

Precision spun 0.040 aluminum baffle with deep grooves to reduce aperture glare.

### MOUNTING

Trim includes two "V" torsion springs to mount trim securely to housing. Replacement "V" torsion springs are available (NRA-86). Socket can be mounted directly to trim without bracket.

### COMPATIBLE LAMP / HOUSINGS

#### Line Voltage:

90W BR40/PAR38 Maximum (NFBIC-6INCATA)

100W BR40/PAR38 Maximum (NHIC-17QAT; NHIC-17QNBAT; NHIC-17/100DWQA; NHR-260; NHRIC-17QAT; NHRIC-17QNBAT)

150W BR40/PAR38 Maximum (NH-260; NHR-260)

### LISTINGS

· cULus Listed for Damp Location when used with compatible housing



### PRODUCT IMAGES AND DIMENSIONS



NTM-713BAL



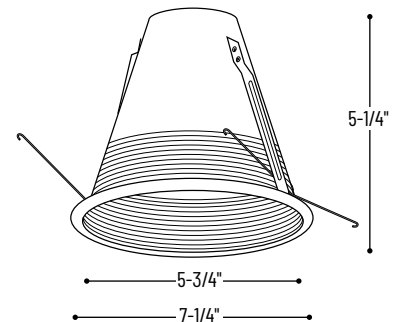
NTM-713BBAL



NTM-713BZ



NTM-713WAL



## 6" Air-Tight Aluminum Baffle Cone Reflector

Catalog No.

**NTM-713BBAL** = 6" Black Air-Tight Aluminum Baffle Cone Reflector, Black Flange

**NTM-713BAL** = 6" Black Air-Tight Aluminum Baffle Cone Reflector, White Flange

**NTM-713BZ** = 6" Bronze Air-Tight Aluminum Baffle Cone Reflector, Bronze Flange

**NTM-713WAL** = 6" White Air-Tight Aluminum Baffle Cone Reflector, White Flange

## Compatible Housings

Catalog No.

**NH-260** = Non-IC New Construction / 150W max.

**NHIC-17/100DWQA** = ICAT Double Wall New Construction / 100W max.

**NHIC-17QAT** = ICAT New Construction / 100W max.

**NHIC-17QNBAT** = ICAT New Construction; No bracket / 100W max.

**NHR-260** = Non-IC Remodel / 150W max.

**NHRIC-17QAT** = ICAT Remodel / 100W max.

**NFBIC-6INCATA** = ICAT Fire Rated New Construction / 90W Max

Example: **NTM-713WAL** = 6" White Air-Tight Aluminum Baffle Cone Reflector, White Flange