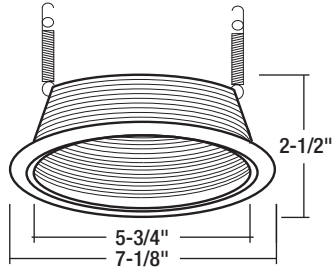


**NTM-40 / NTM-41  
Stepped Baffle with Ring**

**TRIM DIMENSIONS**



Trim OD: 7-1/8" (Oversize: 7-3/4")  
Aperture: 5-3/4"  
Height: 2-1/2"

**FEATURES**

**Trim**  
Precision spun 0.040 aluminum baffle insert with deep grooves to reduce aperture glare. Non-reflective painted finishes. Separate trim ring available in plastic or metal, may also be used with custom combination of ring finishes.

**Mounting**  
Trim includes two coil springs that clip and securely hold the trim into the housing when installed. Replacement coil springs are available (NRA-22).

**Compatible Housings**  
Compatible with Line Voltage and Compact Fluorescent housings. See individual specification sheets for more information.

**Lamp**  
**Line Voltage**  
100W BR40/PAR38 Maximum (NHIC-17/100DWQA)  
150W BR40/PAR38 Maximum (NH-26Q; NHR-26Q)

**Compact Fluorescent**  
(1) 13W-42W Triple Tube (NHPH-113SEL; NHPH-118SEL; NHPH-2642SEL; NHRPH-113SEL; NHRPH-118SEL; NHRPH-2642SEL)  
(2) 13W-26W Quad Tube (NHPH-213SEL; NHPH-218SEL; NHPH-226SEL; NHRPH-213SEL; NHRPH-218SEL; NHRPH-226SEL)

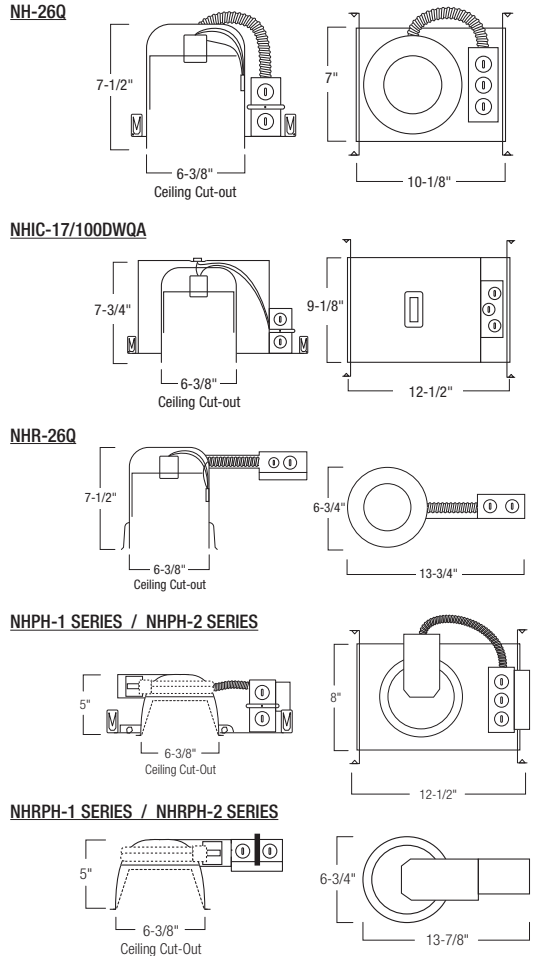
**Labels and Listings**  
cULus Listed for Damp Location when used with compatible housing  
UL Classified for use with most manufacturer' housings

**Stepped Baffle with Ring**

- NTM-40:** Black Stepped Baffle with White Plastic Ring
- NTM-40/OV:** Black Stepped Baffle with Oversize White Plastic Ring
- NTM-40/2R:** Black Stepped Baffle with Two White Plastic Rings (Regular and Oversize)
- NTM-40B:** Black Stepped Baffle with Black Plastic Ring
- NTM-40C:** Black Stepped Baffle with Chrome Plastic Ring
- NTM-40G:** Black Stepped Baffle with Gold Plastic Ring
- NTM-40N:** Black Stepped Baffle with Natural Metal Ring
- NTM-41:** White Stepped Baffle with White Plastic Ring
- NTM-41/OV:** White Stepped Baffle with Oversize White Plastic Ring
- NTM-41/2R:** White Stepped Baffle with Two White Plastic Rings (Regular and Oversize)
- NTM-41BZ:** Bronze Stepped Baffle with Bronze Metal Ring
- NTM-41C:** White Stepped Baffle with Chrome Plastic Ring
- NTM-41CO:** Copper Stepped Baffle with Copper Metal Ring
- NTM-41G:** White Stepped Baffle with Gold Plastic Ring
- NTM-41N:** Natural Metal Stepped Baffle with Natural Metal Ring

Type
Project
Catalog No.
Lamp/Wattage

**HOUSING DIMENSIONS**



**Compatible Housings**

LINE VOLTAGE		
Item Number	Installation Type	Dimensions
<input type="checkbox"/> NH-26Q	Non-IC New Construction	W: 7" L: 10-1/8" H: 7-1/2"
<input type="checkbox"/> NHIC-17/100DWQA	IC Double Wall Air-Tight New Construction	W: 9-1/8" L: 12-1/2" H: 7-3/8"
<input type="checkbox"/> NHR-26Q	Non-IC Remodel Housing	W: 6-3/4" L: 13-3/4" H: 7-1/2"
COMPACT FLUORESCENT		
<input type="checkbox"/> NHPH-113SEL	Non-IC Shallow New Construction	W: 8" L: 12-1/2" H: 4-3/8"
<input type="checkbox"/> NHPH-118SEL	Non-IC Shallow New Construction	W: 8" L: 12-1/2" H: 4-3/8"
<input type="checkbox"/> NHPH-2642SEL	Non-IC Shallow New Construction	W: 8" L: 12-1/2" H: 4-3/8"
<input type="checkbox"/> NHPH-213SEL	Non-IC Shallow New Construction	W: 8" L: 12-1/2" H: 4-3/8"
<input type="checkbox"/> NHPH-218SEL	Non-IC Shallow New Construction	W: 8" L: 12-1/2" H: 4-3/8"
<input type="checkbox"/> NHPH-226SEL	Non-IC Shallow New Construction	W: 8" L: 12-1/2" H: 4-3/8"
<input type="checkbox"/> NHRPH-113SEL	Non-IC Shallow Remodel	W: 6-3/4" L: 13-7/8" H: 4-3/8"
<input type="checkbox"/> NHRPH-118SEL	Non-IC Shallow Remodel	W: 6-3/4" L: 13-7/8" H: 4-3/8"
<input type="checkbox"/> NHRPH-2642SEL	Non-IC Shallow Remodel	W: 6-3/4" L: 13-7/8" H: 4-3/8"
<input type="checkbox"/> NHRPH-213SEL	Non-IC Shallow Remodel	W: 6-3/4" L: 13-7/8" H: 4-3/8"
<input type="checkbox"/> NHRPH-218SEL	Non-IC Shallow Remodel	W: 6-3/4" L: 13-7/8" H: 4-3/8"
<input type="checkbox"/> NHRPH-226SEL	Non-IC Shallow Remodel	W: 6-3/4" L: 13-7/8" H: 4-3/8"