

NTM-30 / NTM-31 / NTM-32 / NTM-33 / NTM-34

6" BR/PAR30 Stepped Baffle Trim with Ring

Type _____

Project _____

Catalog No. _____

Notes _____

FEATURES

Trim: Precision spun 0.040 baffle insert with deep grooves to reduce aperture glare. Non-reflective painted finishes. Separate trim ring available in plastic or metal, may also be used with custom combination of ring finishes.

Mounting: Trim includes two coil springs that clip and securely hold the trim into the housing when installed. Replacement coil springs are available (NRA-22).

COMPATIBLE LAMP / HOUSINGS

Line Voltage:

75W BR/PAR30 Maximum

(NH-26Q; NH-27Q; NHIC-17/100DWQA; NHIC-17QAT; NHIC-27QAT; NHR-26Q; NHR-27Q; NHRIC-17QAT; NHRIC-27QAT)

See individual housing specification sheets for more information.

LABELS AND LISTINGS

cULus Listed for Damp Location when used with compatible housing



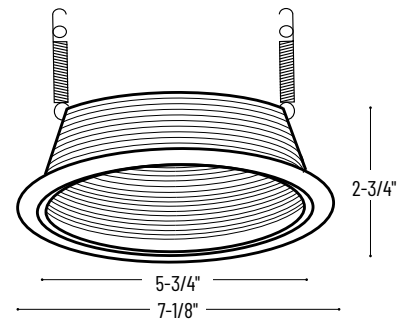
PRODUCT IMAGES & DIMENSIONS



NTM-31



NTM-30



6" BR/PAR30 Stepped Baffle Trim with Ring

Catalog No. _____

NTM-30 = 6" BR/PAR30 Black Stepped Baffle w/ White Plastic Ring

NTM-30/2R* = 6" BR/PAR30 Black Stepped Baffle w/ Two White Plastic Rings

NTM-30B = 6" BR/PAR30 Black Stepped Baffle w/ Black Plastic Ring

NTM-31 = 6" BR/PAR30 White Stepped Baffle w/ White Plastic Ring

NTM-31/2R* = 6" BR/PAR30 White Stepped Baffle w/ Two White Plastic Rings

NTM-31B = 6" BR/PAR30 White Stepped Baffle w/ Black Plastic Ring

NTM-31C = 6" BR/PAR30 White Stepped Baffle w/ Chrome Plastic Ring

NTM-32 = 6" BR/PAR30 Natural Metal Stepped Baffle w/ Natural Metal Ring

NTM-33 = 6" BR/PAR30 Copper Stepped Baffle w/ Copper Metal Ring

NTM-34BZ = 6" BR/PAR30 Bronze Stepped Baffle w/ Bronze Metal Ring

* Includes Regular and Oversize White Plastic Ring

Compatible Housings

Catalog No. _____

NH-26Q = Non-IC New Construction / 75W Max.

NH-27Q = Non-IC Shallow New Construction / 75W Max.

NHIC-17/100DWQA = ICAT Double Wall New Construction / 75W Max.

NHIC-17QAT = ICAT New Construction / 75W Max.

NHIC-27QAT = ICAT Shallow New Construction / 75W Max.

NHR-26Q = Non-IC Remodel / 75W Max.

NHR-27Q = Non-IC Shallow Remodel / 75W Max.

NHRIC-17QAT = ICAT Remodel / 75W Max.

NHRIC-27QAT = ICAT Shallow Remodel / 75W Max

Example: **NTM-30** = 6" BR/PAR30 Black Stepped Baffle w/ White Plastic Ring