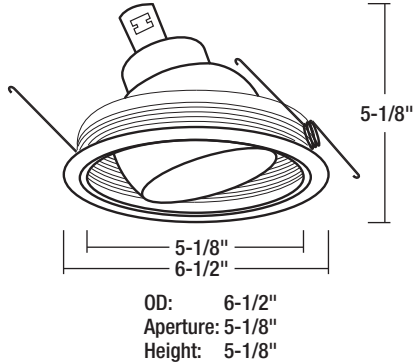


NT-5048
Stepped Baffle with Regressed Eyeball

TRIM DIMENSIONS



FEATURES

Trim
 Precision spun 0.040 baffle with deep grooves to reduce aperture glare. Metal trim with adjustable eyeball can be rotated 360° horizontally and 35° vertically. Eyeball includes two socket positions for optimum light control and output. Separate trim ring available in plastic or metal, may also be used with custom combination of ring finishes.

Mounting
 Trim includes two "V" torsion springs to mount trim securely to housing. Replacement "V" torsion springs are available (NRA-86).

Compatible Housings
 Compatible with Line Voltage housings. See individual specification sheets for more information.

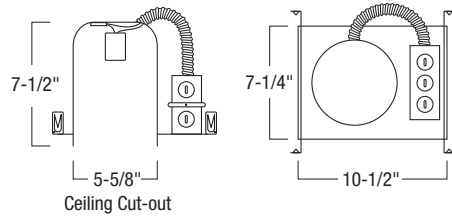
Lamp
Line Voltage
 50W PAR30 Maximum (NHIC-527QAT; NHRIC-527QAT)
 75W BR30/PAR30 Maximum (NH-501Q; NHIC-501QAT; NHR-504Q; NHRIC-504QAT)

Labels and Listings
 cULus Listed for Damp Location when used with compatible housing.

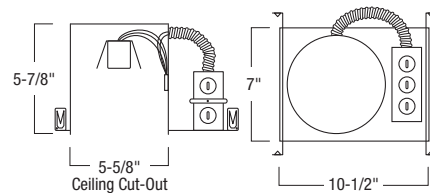
Type
Project
Catalog No.
Lamp/Wattage

HOUSING DIMENSIONS

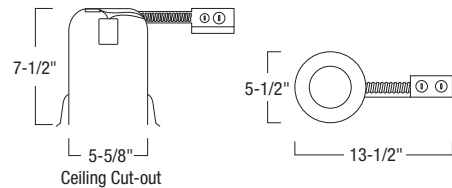
NH-501Q / NHIC-501QAT



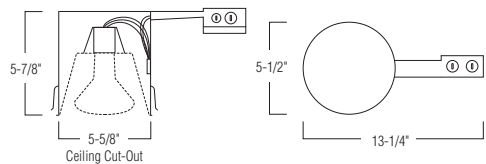
NHIC-527QAT



NHR-504Q / NHRIC-504QAT



NHRIC-527QAT



Stepped Baffle with Regressed Eyeball

- NT-5048B:** Black Stepped Baffle with White Regressed Eyeball and White Plastic Ring
- NT-5048N:** Natural Metal Stepped Baffle with Natural Metal Regressed Eyeball and Natural Metal Ring
- NT-5048W:** White Stepped Baffle with White Regressed Eyeball and White Plastic Ring

Compatible Housings

LINE VOLTAGE			
Item Number	Installation Type	Lamp	Dimensions
<input type="checkbox"/> NH-501Q	Non-IC New Construction	75W BR/PAR30	W: 7-1/4" L: 10-1/2" H: 7-1/2"
<input type="checkbox"/> NHIC-501QAT	IC Air-Tight New Construction	75W BR/PAR30	W: 7-1/4" L: 10-1/2" H: 7-1/2"
<input type="checkbox"/> NHIC-527QAT	Shallow IC AT New Const.	50W PAR30	W: 7" L: 10-1/2" H: 5-7/8"
<input type="checkbox"/> NHR-504Q	Non-IC Remodel Housing	75W BR/PAR30	W: 5-1/2" L: 13-1/2" H: 7-1/2"
<input type="checkbox"/> NHRIC-504QAT	IC Air-Tight Remodel Housing	75W BR/PAR30	W: 5-1/2" L: 13-1/2" H: 7-1/2"
<input type="checkbox"/> NHRIC-527QAT	Shallow IC AT Remodel	50W PAR30	W: 6-3/4" L: 13-1/4" H: 5-1/2"