



GLOBES

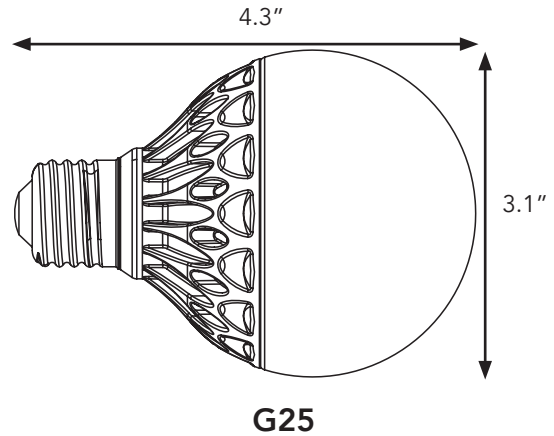
G25

BENEFITS

- Up to 83% more efficient than incandescent equivalent
- Longer life and lower maintenance costs
- Dimmable when used with approved dimming switch
- Mercury and Lead free, as well as UV and IR free
- Instant on to full brightness

SPECIFICATIONS

EQUIVALENT	45 Watt Incandescent
AVERAGE RATED LIFE	25,000 hrs
HOUSING	Glass, Aluminum
BASE	Medium (E26)
POWER	120V, 60Hz
LENS	Frosted Glass
BEAM	270°
COLOR (K)	2700, 5000



DIMMER COMPATIBILITY*

Lutron: MACL-153M, LGCL-153PLH, TAL06P-C1-K-L, TGCL-153PH, AYCL-153P, DVCL-153P, DVSCCL-153P, SCL-153P, MSCL-OP153M, CTCL-153P, TTCL-100, SELV-300P, DVELV-300P **Cooper:** ASPIRE-9573, DEVINE-DLC03P, SKYE-SLC03P, SAL06P, AAL06-C1-K-L, DAL06P-C1-K-L

*The listed dimmers have been tested and proven to work under limited laboratory conditions. All possible electrical conditions cannot be accurately simulated, and therefore some discrepancy may exist.

APPLICATION INFORMATION

Applications	Market Segments
— Decorative	— Residential
— Bathroom Vanity	— Hospitality

Application Notes

1. Operating temperature range between -20°C and +45°C (-4°F and +113°F)
2. Not for use with emergency light fixtures or exit lights
3. Not for use in totally enclosed fixture
4. Suitable for indoor/damp locations and sheltered outdoor use

This device complies with Part 15 of the FCC rules and has been tested and found to comply with the limits for a Class B digital device. These limits are designed to provide reasonable protection against harmful interference in a residential installation. This equipment uses and can radiate radio frequency energy and, if not installed and used in accordance with the instructions, may cause harmful interference to radio communications. Any changes or modifications not expressly approved by the manufacturer could void the user's authority to operate the equipment.

CERTIFICATIONS



LM79 reports are available upon request.



Based on 12 hours of use per day.

ORDERING INFORMATION

G25

Order Code	Part Number	Wattage (W)	Base	Replaces	Voltage (V)	CCT ¹	Typical Lumens ²	CRI ³	Dim	Beam	Weight (lbs)	Case Quantity
K8L1	LED-450-G25F-27	8	E26	45W G25	120	2700	450	82	Yes	270°	0.4	40
K8L2	LED-G25F-8W450-50	8	E26	45W G25	120	5000	450	84	Yes	270°	0.4	40

1. Thermally stable typical CCT (±10%) 2. Thermally stable typical lumens (±10%) 3. CRI - Color Rendering Index

For the most up-to-date specifications, visit kobielectric.com.



KOBI ELECTRIC

800-505-2106 / kobielectric.com
253 Loy St / Burleson, TX 76028

Specifications are typical values and may change without notification.
©2014 Kobi Electric, Inc. All Rights Reserved

Globe
Rev 1_100614