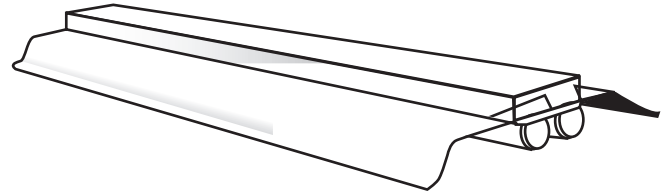


Series IND

Medium Body Strip with Reflectors



FEATURES & SPECIFICATIONS

INTENDED USE

Medium body industrial strip with reflectors for interior warehouse, retail, and utility areas requiring concentrated illumination in a commercial quality configuration.

SIZE W x L x H in inches (mm)

Fixture width and height vary with reflector selection

Fixture length = lamp(s) length

LAMP

1, 2, or 3 Lamp Positions in Cross section.

MATERIALS & FEATURES

Housing is die-formed and embossed code 22 gage steel. Body finish is high reflectance baked white enamel. Wiring knockouts are provided on back and end of housing. Reflectors attach with quarter turn fasteners; no tools required for ballast access. End plate doubles as coupler for continuous row mounts. Reflectors available in several materials. See C Series for similar fixtures with no reflectors.

- W3x, economical white steel reflectors, for abusive locations
Three styles: symmetric, symmetric with uplight, and asymmetric
- M2, premium full specular (mirrored) reflectors, for maximum efficiency
Four styles: Low (8-10ft), Standard (9-14ft), and High Ceiling (12-24ft), and asymmetric
- W1x, high reflectance white aluminum reflectors, combine economy and efficiency
Two styles: Standard (9-14), and High ceiling (12-24ft) symmetric

ORDERING INFORMATION

IND	2	32	8	
	(Lamps not Included)			
	Lamp Count	Lamp Type [1]	Tandem Code [2]	
Series IND Medium Body Strip with Reflectors	1 or 2	20 24in. T12		
	1 or 2	30 36in. T12	6 6ft. Tandem (Double Lamp Count)	
	1 or 2	40 48in. T12 [6]	8 8ft. Tandem (Double Lamp Count)	
	1 or 2	F96T12 96in. T12 Slimline		
	1 or 2	F48T12HO 48in. T12	8 8ft. Tandem (Double Lamp Count)	
	1 or 2	F72T12HO 72in. T12		
	1 or 2	F96T12HO 96in. T12 [8]		
	1,2, or 3	17 24in. T8		
	1,2, or 3	25 36in. T8	6 6ft. Tandem (Double Lamp Count)	
	1,2, or 3	32 48in. T8	8 8ft. Tandem (Double Lamp Count)	
	1 or 2	59 96in. F96T8 59W Slimline		
	1 or 2	F48T8HO 48in. T8	8 8ft. Tandem (Double Lamp Count)	
	1 or 2	F96T8HO 96in. T8		
	2 or 3	14 22in. T5 [5]		
	2 or 3	21 34in. T5 [5]		
	2 or 3	28 46in. T5 [5]	8 8ft. Tandem (Double Lamp Count)	
	2 or 3	24 22in. T5HO [5]		
	2 or 3	39 34in. T5HO [5]		
	Notes	2 or 3	54 46in. T5HO [5]	8 8ft. Tandem (Double Lamp Count)

[1] See end of T02Strip section for many additional lamps, ballasts, finishes, and options.

[2] Tandem doubles length and lamp count. Same lamps in cross section, additional lamps end to end.

[3] Custom reflectors available to create any light distribution.

[4] HiLume and LoLume ballasts available for T8 lamps only.

[5] T5 & T5HO S body strips are full 24/36/48/96in length. See KDS series for shorter strips.

[6] Magnetic ballasts available for T8 & T12 only.

[7] Standard magnetic T12 ballasts for 48in lamp drive a 34W energy saver. Specify electronic to drive 48in T12 34 or 40W lamp.

[8] Electronic ballasts ONLY for F96T12HO. See KL series for magnetic F96T12HO ballasts.

MOUNTING

Surface mount, chain hung, double stem. See end of chapter T02Strip for accessory mount kits.

LISTING

Fixture and Ballast: UL Listed.

Ballast: Thermally protected, class P, HPF,

Non PCB; unless specified otherwise.

TYPICAL OPTIONS AND ACCESSORIES

Emergency ballasts, whips, fuses, and wire guards.

See options page at the end of the T02Strip section, or contact factory for more details.

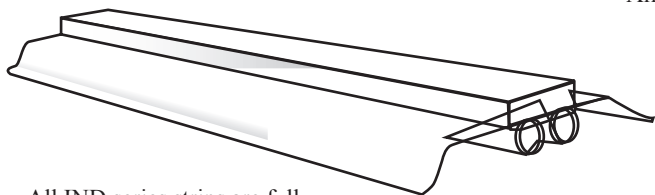
Example: IND 232 W30 MV

W3 0	MV
	Ballast & Voltage [1]
E120 or E277	Electronic, 120V or 277V
MV	Electronic, Multivolt (120-277)
H120, H277, HMV [4]	Elec. Hi-Lume; 120V, 277V, or MV
L120, L277, LMV [4]	Elec. Lo-Lume; 120V, 277V, or MV
M120 or M277 [6,7]	Magnetic, 120 or 277V
S	Residential 120V Ballast
	Reflectors [3]
W3 0	White Steel Reflector
W3 0 UP	White Steel Reflector Uplight
W3 5	White Steel Reflector Asymmetric
M2 2	Mirrored Reflector Low Mount
M2 4	Mirrored Reflector Standard Mount
M2 6	Mirrored Reflector High Mount
M2 5	Mirrored Reflector Asymmetric
W1 4	White Aluminum Reflector Standard Mount
W1 6	White Aluminum Reflector High Mount
	Options [1]
WP	6 ft. 3 wire 18 gauge whip
WP10	6 ft. 4 wire 18 gauge whip
EM	Emergency ballast, 500 lumens
EM14	Emergency ballast, 1400 lumens

EM14 ballast req'd for T5HO lamps

Series IND

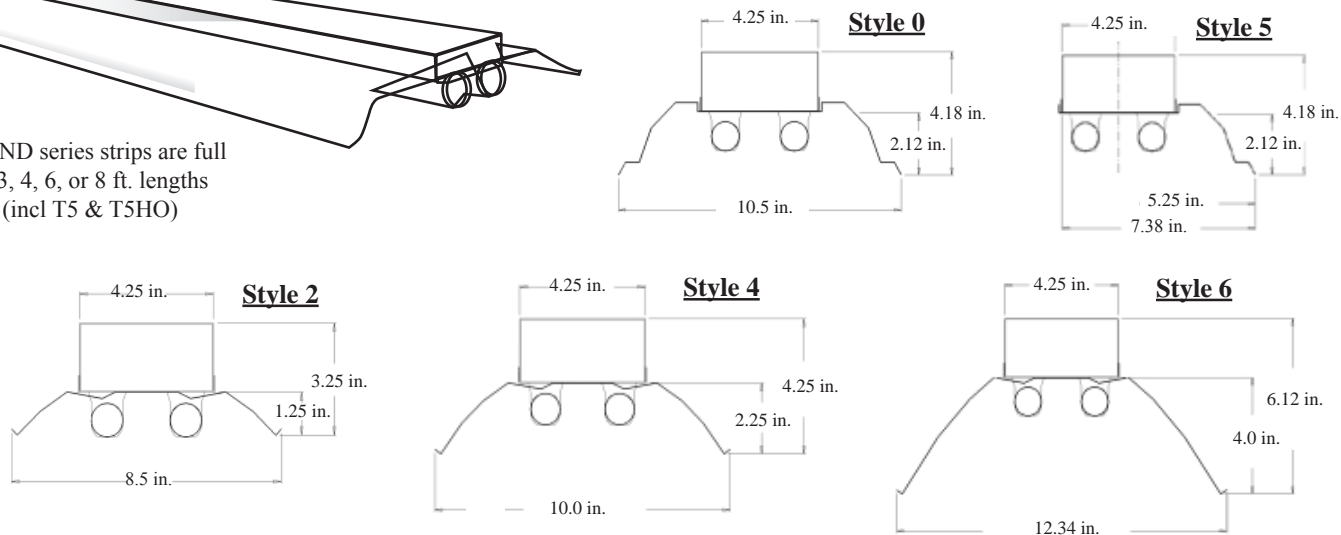
Medium Body Strip with Reflectors



All IND series strips are full 2, 3, 4, 6, or 8 ft. lengths (incl T5 & T5HO)

DIMENSIONS

All dimensions are inches. Specifications subject to change without notice.



PHOTOMETRICS

Calculated using the zonal cavity method in accordance with IESNA LM41 procedure. Lamp configurations shown are typical. Photometric data on these and other configurations available upon request.

Floor	20%	20%	20%	20%	20%	20%	20%	20%	20%
Ceiling	80%	80%	80%	70%	70%	70%	50%	50%	50%
Wall	70%	50%	30%	70%	50%	30%	50%	30%	10%
RCR	Zonal cavity coefficients			CUIND23	Spacing ratio. Along 1.3		Across 1.5		
0	0.98	0.98	0.98	0.95	0.91	0.91	0.87	0.87	0.88
1	0.89	0.84	0.80	0.83	0.79	0.73	0.76	0.73	0.71
2	0.81	0.73	0.66	0.71	0.68	0.59	0.65	0.61	0.58
3	0.73	0.63	0.55	0.62	0.59	0.48	0.57	0.52	0.47
4	0.67	0.55	0.47	0.54	0.52	0.41	0.50	0.45	0.40
5	0.61	0.49	0.41	0.48	0.46	0.34	0.45	0.39	0.34
6	0.56	0.44	0.36	0.43	0.41	0.30	0.40	0.34	0.29
7	0.52	0.39	0.32	0.39	0.37	0.26	0.36	0.30	0.26
8	0.48	0.36	0.29	0.35	0.34	0.23	0.33	0.27	0.23
9	0.45	0.33	0.26	0.32	0.31	0.21	0.30	0.25	0.21
10	0.42	0.30	0.23	0.30	0.29	0.19	0.28	0.23	0.19

Floor	20%	20%	20%	20%	20%	20%	20%	20%	20%
Ceiling	80%	80%	80%	70%	70%	70%	50%	50%	50%
Wall	70%	50%	30%	70%	50%	30%	50%	30%	10%
RCR	Zonal cavity coefficients			CUIND23	Spacing ratio. Along 1.3		Across 1.5		
0	1.01	1.01	1.01	0.98	0.94	0.94	0.90	0.90	0.90
1	0.92	0.87	0.83	0.85	0.82	0.75	0.78	0.76	0.73
2	0.83	0.75	0.68	0.73	0.70	0.61	0.67	0.63	0.60
3	0.75	0.65	0.57	0.64	0.61	0.50	0.59	0.53	0.49
4	0.69	0.57	0.49	0.56	0.54	0.42	0.52	0.46	0.42
5	0.63	0.51	0.42	0.50	0.48	0.36	0.46	0.40	0.35
6	0.58	0.45	0.37	0.44	0.43	0.31	0.41	0.35	0.31
7	0.53	0.41	0.33	0.40	0.39	0.27	0.38	0.31	0.27
8	0.50	0.37	0.30	0.37	0.36	0.24	0.34	0.28	0.24
9	0.46	0.34	0.27	0.34	0.33	0.22	0.32	0.26	0.21
10	0.43	0.31	0.24	0.31	0.30	0.19	0.29	0.23	0.19

Floor	20%	20%	20%	20%	20%	20%	20%	20%	20%
Ceiling	80%	80%	80%	70%	70%	70%	50%	50%	50%
Wall	70%	50%	30%	70%	50%	30%	50%	30%	10%
RCR	Zonal cavity coefficients			CUIND23	Spacing ratio. Along 1.3		Across 1.3		
0	1.09	1.09	1.08	1.07	1.01	1.01	0.97	0.97	0.97
1	0.99	0.93	0.89	0.91	0.87	0.80	0.84	0.81	0.78
2	0.89	0.80	0.73	0.79	0.75	0.65	0.72	0.68	0.64
3	0.81	0.70	0.61	0.68	0.65	0.53	0.63	0.57	0.52
4	0.74	0.62	0.53	0.60	0.58	0.45	0.56	0.50	0.45
5	0.68	0.55	0.46	0.54	0.52	0.38	0.50	0.43	0.38
6	0.62	0.49	0.40	0.48	0.46	0.33	0.45	0.38	0.33
7	0.58	0.44	0.36	0.43	0.42	0.29	0.41	0.34	0.29
8	0.54	0.40	0.32	0.40	0.38	0.26	0.37	0.31	0.26
9	0.50	0.37	0.29	0.36	0.35	0.24	0.34	0.28	0.23
10	0.47	0.34	0.26	0.33	0.33	0.21	0.32	0.25	0.21

Floor	20%	20%	20%	20%	20%	20%	20%	20%	20%
Ceiling	80%	80%	80%	70%	70%	70%	50%	50%	50%
Wall	70%	50%	30%	70%	50%	30%	50%	30%	10%
RCR	Zonal cavity coefficients			CUIND23	Spacing ratio. Along 1.3		Across 1.6		
0	1.12	1.11	1.12	1.09	1.04	1.04	1.00	0.99	1.00
1	1.03	0.99	0.95	0.96	0.93	0.87	0.89	0.87	0.84
2	0.94	0.87	0.80	0.85	0.82	0.73	0.79	0.75	0.71
3	0.86	0.76	0.69	0.75	0.72	0.61	0.70	0.65	0.60
4	0.80	0.68	0.60	0.67	0.65	0.53	0.63	0.57	0.52
5	0.73	0.61	0.53	0.60	0.58	0.46	0.56	0.50	0.46
6	0.68	0.55	0.47	0.54	0.52	0.40	0.51	0.45	0.40
7	0.63	0.50	0.42	0.49	0.48	0.36	0.47	0.40	0.36
8	0.59	0.46	0.38	0.45	0.44	0.33	0.43	0.37	0.32
9	0.55	0.42	0.35	0.42	0.41	0.29	0.40	0.34	0.29
10	0.52	0.39	0.32	0.39	0.38	0.27	0.37	0.31	0.27