



# PAR20

## Dimmable Recessed Light

Leapfrog Lighting's PAR20 LED lamp provides industry-leading light quality, output power, and efficacy as a result of our patented intelligent optics lens and high-efficiency, high-reliability LED source and driver electronics.

### Features

- Innovative anti-glare lens technology
- Available in a variety of CCTs and beam angles
- Top performing light output and efficacy
- High Power Factor
- Compatible with most ANSI/NEMA approved dimmers designed for LED use
- UL certified
- Comprehensive five-year warranty



### LIGHT QUALITY

Evenly distributed, glare-free light with gentle roll-off at edges

### APPLICATIONS

Indoor and unexposed outdoor down-lighting applications

### LIFE EXPECTANCY

40,000 hours

### PERFORMANCE

Dimmable, high efficacy (lm/W), single light source

### COLOR

Ultra-consistent color temperature control critical to multi-lamp applications, with high CRI and pleasing CCT options.

### SPECIFICATIONS

CCT <sup>1</sup>	CRI <sup>2</sup>	BEAM	LM	W	LM/W	PART
2700K	80	24°	560	8	70	1001-P20LC-2704
	80	38°	560	8	70	1001-P20LC-2702
	80	60°	560	8	70	1001-P20LC-2703
3000K	80	24°	570	8	71	1001-P20LC-3004
	80	38°	570	8	71	1001-P20LC-3002
	80	60°	570	8	71	1001-P20LC-3003
5000K	83	24°	580	8	72	1001-P20LC-5003
	83	38°	580	8	72	1001-P20LC-5001
	83	60°	580	8	72	1001-P20LC-5002

\*Version

1. Tolerances as per ANSI C78.377-2008 Nominal CCT categories
2. CRI refers to the "General CRI" described as Ra in CIE 13.3
3. Lifetime as defined by IESNA LM-80
4. Compatible with ANSI C78.21-2011 dimensional requirements
5. Duv values and tolerances as per ANSI C78.377-2008 Nominal CCT, Table 1, page 8

### GENERAL

Min. lifetime <sup>3</sup>	40,000 hours
Base type	E26/E27
Weight	5.6 oz.
Dimensions <sup>4</sup>	PAR20L

### ELECTRICAL

Voltage, nominal	120 VAC
Power factor	> 0.95
Dimming range	Flicker free down to 10% light output

### OPTICAL

Duv <sup>5</sup>	< ±0.006
------------------	----------

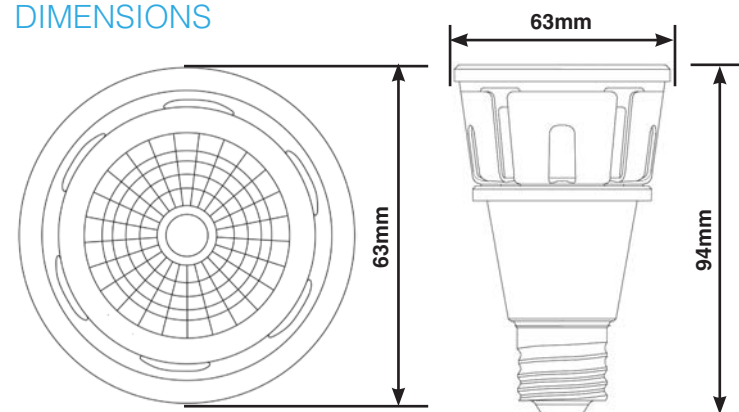
### Contact

Head Office  
400 March Road  
Ottawa ON Canada  
K2K 3H4  
(613) 270-7879

North America (toll free):  
1-800-396-9109

sales@leapfroglighting.com  
www.leapfroglighting.com

### DIMENSIONS



### BASE TYPE



## PAR20 DIMMER COMPATIBILITY (North America)

COOPER	LEGRAND	LEVITON	LUTRON
<b>Aspire</b> 9570 120V - 60Hz - 300W 9573 120V - 60Hz - 300W	<b>Harmony</b> DCL453PTC 120V - 60Hz - 450W	RPIo6-1L/RPIo6-1o 120V - 60Hz - 600W	<b>Ariadni</b> AYCL-153PH 120V - 60Hz - 600W TGCL-153PH 120V - 60Hz - 600W
<b>Devine</b> DEL06P 120V - 60Hz - 300W		S-600PH-WH-CSA 120V - 60Hz - 600W	<b>Cradenza</b> TT300 120V - 60Hz - 300W
<b>Devione</b> DLC03P 120V - 60Hz - 300W		6631-I 120V - 60Hz - 600W	<b>Diva</b> DVCL-153P* 120V - 60Hz - 600W
<b>Skype</b> SEL06P 120V - 60Hz - 300W SLC03P 120V - 60Hz - 300W			<b>Lumea</b> LGCL-153PLH 120V - 60Hz - 600W
			<b>Maestro</b> MACL-153M* 120V - 60Hz - 600W
			<b>Skylark</b> CTCL-153P* 120V - 60Hz - 600W

### APPLICATION NOTES

Not for use in exposed outdoor down-lighting applications

Ambient temperature within -20 to +45 °C

### SAFETY NOTES

Warning: Risk of electric shock

Do not disassemble (no user serviceable parts)

Turn off power before inspection, installation or removal.

### WARRANTY

If you're not satisfied with this lamp within 3 months, we will refund the purchase price. If the lamp fails to meet our specifications during the first 60 months, we'll replace it.

For additional warranty information, please refer to <http://www.leapfroglighting.com/resources/>.

