

# LED Flood Light



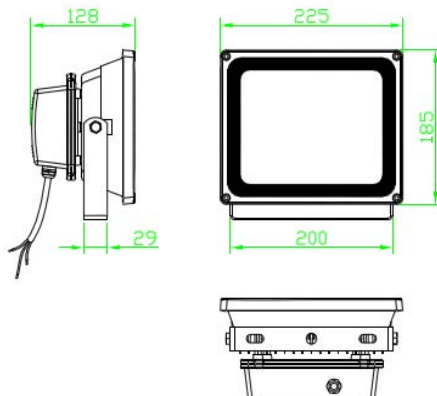
## 30W DataSheet

LM79 LM80 (CREE LED)

RoHS IP65

Model :		JD-FLOODA301-02 (COB LED)
OVERALL LAMP PARAMETERS	Input Voltage	120-277VAC 50-60Hz
	Input Current	0.41A
	Rated Wattage	31W
	Power Factor	PF≥0.95
	Luminance	>2700LM
	Luminous Efficiency	>88LM/W
	Halogen Equivalent	175W
	CRI	>68
	Beam Angle	120°
	Main Structure	Alluminium + Tempered Glass
	Surface	Baking Varnish
LED DRIVER	Output Voltage	8-24VDC
	Output Current	1250mA
	Driver Efficiency	86%
LED	LED Type	COB
	LED Quantity	28PCS
	LED chip Manufacturer	Bridgelux
	LED Efficacy	120LM/W
	Color	WW/NW/CW/R/G/B (2700-6500K)
LIFESPAN & ENVIRONMENT	Lifespan	50000Hrs.
	Warranty	3 Years
	IP Rating	IP65 (Suitable for wet locations)
	Operating Temperature	-20°C—+35°C
Storage Temperature.Humidity		-40°C—+80°C , 10—90% RH
SAFETY&EMC	Safety Norms	UL1598 , UL8750 UL File number: E352127
	Withstand Voltage	I/P-FG: 2121VDC
	Grounding Resistance	25A 100mΩ
	Electromagnetic Compatibility	EN55015, EN61000-2-3, EN61000-3-3, EN61547
OTHERS	Diamension	Pls refer to attached dimension drawing
	Net Weight	2.0KG (4.4 pounds)
	Gross Weight	2.2KG (4.9 pounds)
	Packing Size	520*280*380mm (20.5" x 11" x 15")
	Q'ty / Carton	4PCS, 9.5Kg (21 pounds)

### Dimension :



Unit: mm

### luminous intensity distribution

