

# LED Flood Light

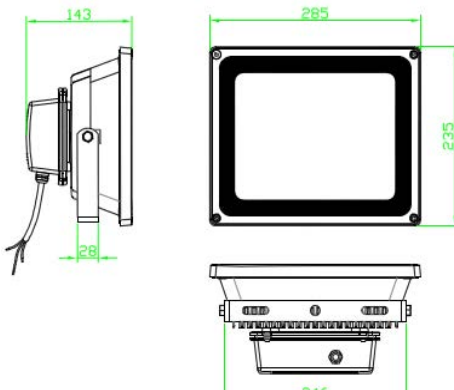


**50W**  
**DataSheet**

**LM79 LM80**<sub>(CREE LED)</sub> **RoHS IP65**

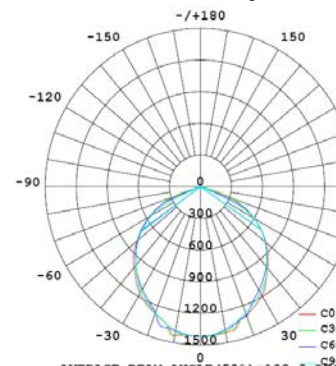
Model :		JD-FLOODA501-02 (COB LED)
OVERALL LAMP PARAMETERS	Input Voltage	120-277VAC 50-60Hz
	Input Current	0.75A
	Rated Wattage	50W
	Power Factor	PF≥0.95
	Luminance	>4400LM
	Luminous Efficiency	>88LM/W
	Halogen Equivalent	250W
	CRI	>68
	Beam Angle	120°
	Main Structure	Alluminium + Tempered Glass
	Surface	Baking Varnish
LED DRIVER	Output Voltage	18-36VDC
	Output Current	1380mA
	Driver Efficiency	86%
LED	LED Type	COB
	LED Quantity	40PCS
	LED chip Manufacturer	Bridgelux
	LED Efficacy	120LM/W
	Color	WW/NW/CW/R/G/B (2700-6500K)
LIFESPAN & ENVIRONMENT	Lifespan	50000Hrs.
	Warranty	3 Years
	IP Rating	<b>IP65 (Suitable for wet locations)</b>
	Operating Temperature	-20°C—+35°C
	Storage Temperature.Humidity	-40°C—+80°C , 10—90% RH
SAFETY&EMC	Safety Norms	<b>UL1598 , UL8750</b>
	Withstand Voltage	I/P-FG: 2121VDC
	Grounding Resistance	25A 100mΩ
	Electromagnetic Compatibility	EN55015, EN61000-2-3, EN61000-3-3, EN61547
OTHERS	Diamension	Pls refer to attached diamension drawing
	Net Weight	2.9KG (6.4 pounds)
	Gross Weight	3.2KG (7.1 pounds)
	Packing Size	420*335*310mm (16.5" x 13.2" x 12.2")
	Q'ty / Carton	2PCS, 7.2Kg (15.9 pounds)

**Dimension :**



Unit: mm

**luminous intensity distr**



|-----246-----|

AVERAGE BEAM ANGLE (50%) : 108.9 DEG