

LED Series

LED Large Adjustable Area/Wall Light



AD40

Housing:

Die Cast Housing, Front Frame & Ballast Box with Bronze Powdercoat Finish Over a Chromate Conversion Coating. Housing Swivels from 0° to 30°, & Includes Angle Indicators at Adjustment Points. Hinged Front Frame and Latch for Tool-Less Entry.

Mounting:

Easy-Hang Wall Bracket (Included); Allows One-Person Mounting! Pole Mount Using Extruded Mounting Arms or Slipfitter.

LG LED Module:

Luminous Flux: See Chart
 CRI: 70+, CCT: 4000K, 5700K or 6500K
 Operating Temperature: -40 ~ 50°C
 50,000 Hours
 Module has IP67 Rating
 RoHS Compliant

Wattage:

LED: 6 x 9 or 12w

Driver:

Electronic Driver, 120-277V, 50/60Hz

Listing & Ratings:

CSA: Listed for Wet Locations

Options:

Dimmable Driver
 2.5KV Surge Protection

Custom Colors Available Upon Request.

LED Large Adjustable Area/Wall Light

Catalog #

Description

Complete Units

Ordering Information

Example: AD40LF6X12U4KZSFSP

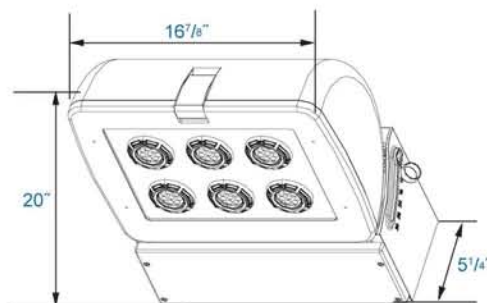
AD40	Model:	AD40
L	LED Mfr:	L=LG Innotek
F	Optics:	F=Medium Beam Spread
6X	Number of Modules:	6X=Six
12	Wattage:	9=9w, 12=12w
U	Ballast:	U=120-277V
4K	Color Temp:	4K=4000K, 57K=5700K, 65K=6500K
Z	Color:	Z=Bronze
SF	Mounting:	SF=Slipfitter, EM6*=6" Aluminum Extruded Mounting Arm, EM10*=10" Aluminum Extruded Mounting Arm, EM12*=12" Aluminum Extruded Mounting Arm, EM18*=18" Aluminum Extruded Mounting Arm *Specify Mounting: R=Round Pole, AS=15° Angled Arm for Square Poles, AR=15° Angled Arm for Round Poles
SP	Options:	SF=Single Fuse, DF=Double Fuse, SP=Surge Protection

LD

Total Luminous Flux per Module

		Optic Type					
		C		F		I	
		12w	9w	12w	9w	12w	9w
CCT	6500K	1288	850	1345	888	1296	856
	5700K	1288	850	1345	888	1296	856
	4000K	1076	710	1100	726	1088	718

DIMENSIONS



AD40

LED Series

LED Large Adjustable Area/Wall Light

Catalog #	Description
FL73SFX	External Mount Slipfitter, Die Cast with Hardware & Angle Indicator
FLEM6*	6" Aluminum Extruded Mounting Arm, Bronze, Gasket & Hardware. Fits Square Poles.
FLEM10*	10" Aluminum Extruded Mounting Arm, Bronze, Gasket & Hardware. Fits Square Poles.
FLEM12*	12" Aluminum Extruded Mounting Arm, Bronze, Gasket & Hardware. Fits Square Poles.
FLEM18*	18" Aluminum Extruded Mounting Arm, Bronze, Gasket & Hardware. Fits Square Poles.
PTASUNV	Square Pole Tenon Adaptor Allows Installation of up to 4 Fixtures, Fits 2 ³ / ₈ " Diameter Vertical Tenon, Bronze Finish. Use FLEMs.
FLEMWM	Heavy-duty Steel Wall Bracket for FLEM Mounting Arms, Bronze Powdercoat Finish.
*Specify Mounting: R=Round Pole, AS=15° Angled Arm for Square Poles, AR=15° Angled Arm for Round Poles	



FL73SFX



FLEM6



FLEM10



FLEM12



FLEM18



PTASUNV



FLEMWM

LD