

LED Series

LED Large Deep Hooded Semi-Cutoff Wall Pack



WH25L

Housing:

Die Cast Aluminum Housing & Hinged Front Frame, 1/2" Coin Plugs with O-rings for Conduit & Photocell, Textured Architectural Bronze Powdercoat Finish Over a Chromate Conversion Coating.

Mounting:

Cast-in Template for Mounting Directly Over a 4" Recessed Outlet Box, or Use 1/2" Surface Conduit.

LG LED Module:

Luminous Flux: See Chart
CRI: 80+, CCT: 4000K, 5700K or 6500K
Operating Temperature: -40 ~ 50°C
50,000 Hours
Module has IP67 Rating
RoHS Compliant
R9: -0.9

Wattage:

LED: 5 x 9 or 12w; 6 x 9 or 12w

Driver:

Electronic Driver, 120-277V, 50/60Hz
Power Factor: .90
Input Current: 0.9A@120VAC
Current: .53mA
THD: ≤20%
System Wattage: 13.6w per Module

Listing & Ratings:

CSA: Listed for Wet Locations.

LM-79 Report Available on Select Models.

Options:

Dimmable Driver
2.5KV Surge Protection

Custom Colors Available Upon Request.

LED Large Deep Hooded Semi-Cutoff Wall Pack

Catalog #

Description

Example: WH25LF6X12U4KZSP

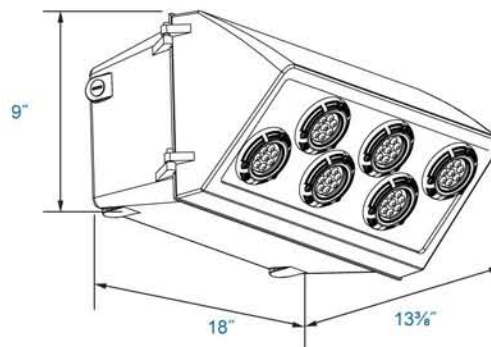
WH25	Model:	WH25
L	LED Mfr:	L=LG Innotek
F	Optics:	F=Medium Beam Spread
6X	Number of Modules:	5X=Five, 6X=Six
12	Wattage:	9=9w, 12=12w
U	Ballast:	U=120-277V
4K	CCT:	4K=4000K, 57K=5700K, 65K=6500K
Z	Color:	Z=Bronze
-	Mounting:	N/A
SP	Options:	L3=HB350W-L3 Wattstopper Occupancy Sensor, 20' Height L4=HB350W-L4 Wattstopper Occupancy Sensor, 40' Height SF=Single Fuse, DF=Double Fuse, SP=Surge Protection

LD



Total Luminous Flux per Module	Optic Type						
	C		F		I		
	12w	9w	12w	9w	12w	9w	
CCT	6500K	1288	850	1345	888	1296	856
	5700K	1288	850	1345	888	1296	856
	4000K	1076	710	1100	726	1088	718

DIMENSIONS



WH25L

Catalog #	Description
HB350W-L3	Wattstopper Passive Infrared Occupancy Sensor, Wet Location, 360° Lens, 40' Diameter Coverage From 20' Height, 120/277V
HB350W-L4	Wattstopper Passive Infrared Occupancy Sensor, Wet Location, 360° Lens, 60' Diameter Coverage From 40' Height, 120/277V

LED Series

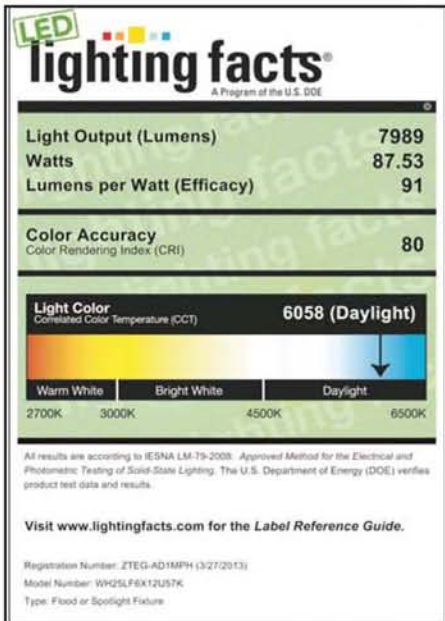
LED Large Deep Hooded Semi-Cutoff Wall Pack



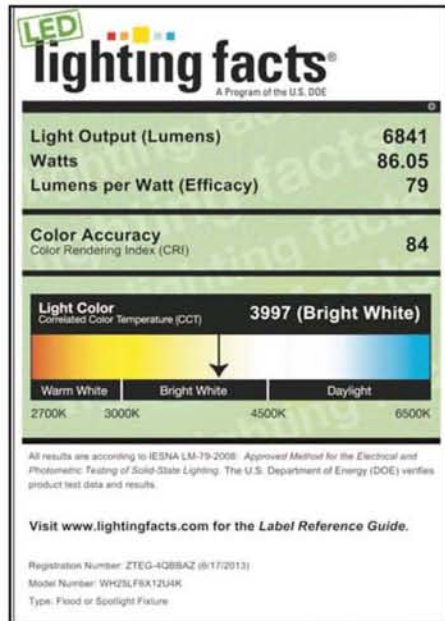
HB350W-L3/L4

■ CONTROLLED WITH *WattStopper*®

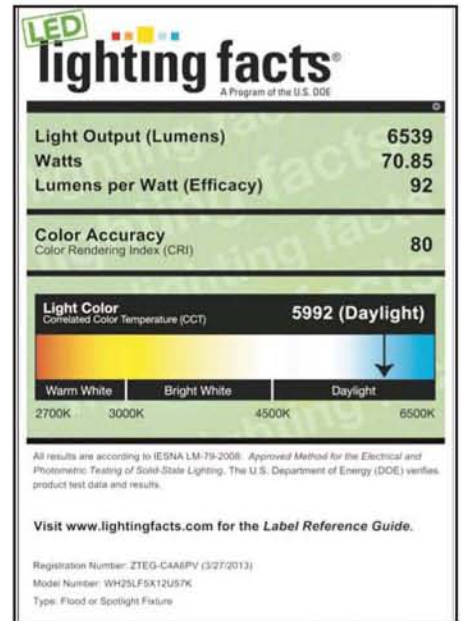
LD



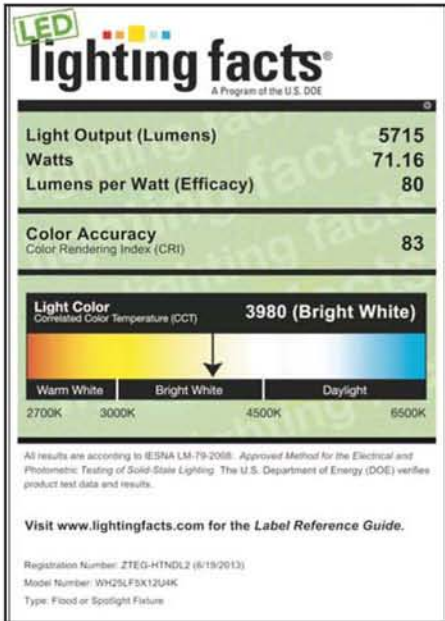
LM-79 Report Available.



LM-79 Report Available.



LM-79 Report Available.



LM-79 Report Available.