

LED Series

LED Hooded Semi-Cutoff Wall Pack, Large Shallow



WH20L

Housing:

Die cast aluminum housing & hinged front frame, 1/2" coin plugs with O-rings for conduit & photocell, textured powdercoat finish over a chromate conversion coating

Mounting:

Cast-in template for mounting directly over a 4" recessed outlet box, or use 1/2" surface conduit.

LG LED Module:

Luminous Flux: See Chart
 CRI: 70+, CCT: 4000K, 5700K or 6500K
 Operating Temperature: -40 ~ 50°C
 50,000 Hours
 Module has IP67 Rating
 RoHS Compliant

Wattage:

LED: 4 x 9 or 12w

Driver:

Electronic driver, 120-277V, 50/60Hz

Listing & Ratings:

CSA: Listed for wet locations

Options:

Dimmable Driver
 2.5KV Surge Protection

Custom colors available upon request.

LED Hooded Semi-Cutoff Wall Pack, Large Shallow

Catalog #

Description

Complete Units

Ordering Information

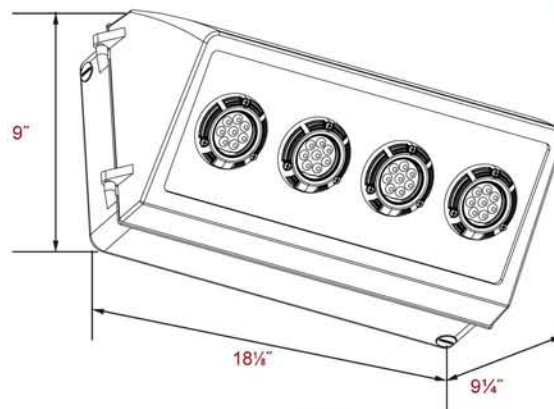
Example: WH20LF4X12U4KZSP

WH20	Model:	WH20
L	LED Mfr:	L=LG Innotek
F	Optics:	F=Medium Beam Spread
4X	Number of Modules:	4X=Four
12	Wattage:	9=9w, 12=12w
U	Ballast:	U=120-277V
4K	Color Temp:	4K=4000K, 57K=5700K, 65K=6500K
Z	Color:	B=Black, Z=Bronze, W=White, G=Gray
-	Mounting:	N/A
SP	Options:	L3=HB350W-L3 Wattstopper Occupancy Sensor, 20' Height L4=HB350W-L4 Wattstopper Occupancy Sensor, 40' Height SF=Single Fuse, DF=Double Fuse, SP=Surge Protection

Total Luminous Flux per Module

		Optic Type					
		C		F		I	
		12w	9w	12w	9w	12w	9w
CCT	6500K	1288	850	1345	888	1296	856
	5700K	1288	850	1345	888	1296	856
	4000K	1076	710	1100	726	1088	718

Dimensions



WH20L

LD

LD-65

LD

Photometrics

Catalog #	Description
HB350W-L3	Wattstopper Passive Infrared Occupancy Sensor, Wet Location, 360° Lens, 40' Diameter Coverage From 20' Height, 120/277V
HB350W-L4	Wattstopper Passive Infrared Occupancy Sensor, Wet Location, 360° Lens, 60' Diameter Coverage From 40' Height, 120/277V

LED Series

LED Hooded Semi-Cutoff Wall Pack, Large Shallow



HB350W-L3/L4

■ CONTROLLED WITH *WattStopper*

