

LED Series

LED Hooded Semi-Cutoff Wall Pack, Medium



WH15L

Housing:

Die cast aluminum housing & hinged front frame, 1/2" coin plugs with O-rings for conduit & photocell, textured powdercoat finish over a chromate conversion coating

Mounting:

Cast-in template for mounting directly over a 4" recessed outlet box, or use 1/2" surface conduit.

LG LED Module:

Luminous Flux: See Chart
 CRI: 80+, CCT: 4000K, 5700K or 6500K
 Operating Temperature: -40 ~ 50°C
 50,000 Hours
 Module has IP67 Rating
 RoHS Compliant
 R9: -0.9

Wattage:

LED: 3 x 9 or 12w

Driver:

Electronic Driver, 120-277V, 50/60Hz
 Power Factor: .90
 Input Current: 0.9A@120VAC
 Current: .53mA
 THD: $\leq 20\%$
 System Wattage: 13.6w per Module

Listing & Ratings:

CSA: Listed for wet locations

LM-79 Report available on select models.

Options:

Dimmable Driver
 2.5KV Surge Protection

Custom colors available upon request.

LED Hooded Semi-Cutoff Wall Pack, Medium

Catalog #

Description

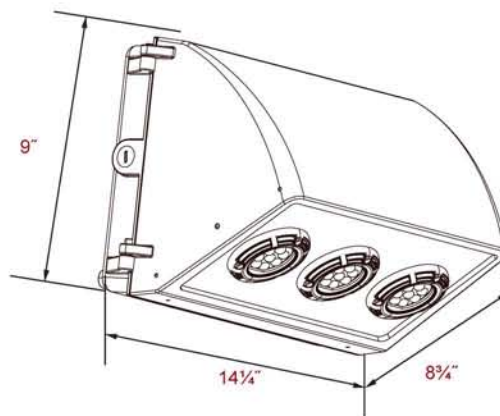
Example: WH15LF3X12U4KZSP

WH15	Model:	WH15
L	LED Mfr:	L=LG Innotek
F	Optics:	F=Medium Beam Spread
3X	Number of Modules:	3X=Three
12	Wattage:	9=9w, 12=12w
U	Ballast:	U=120-277V
4K	CCT:	4K=4000K, 57K=5700K, 65K=6500K
Z	Color:	B=Black, Z=Bronze, W=White, G=Gray
-	Mounting:	N/A
SP	Options:	L3=HB350W-L3 Wattstopper Occupancy Sensor, 20' Height L4=HB350W-L4 Wattstopper Occupancy Sensor, 40' Height SF=Single Fuse, DF=Double Fuse, SP=Surge Protection



Total Luminous Flux per Module	CCT	Optic Type					
		C		F		I	
		12w	9w	12w	9w	12w	9w
	6500K	1288	850	1345	888	1296	856
	5700K	1288	850	1345	888	1296	856
	4000K	1076	710	1100	726	1088	718

Dimensions



WH15L

LD

Catalog #	Description
HB350W-L3	Wattstopper Passive Infrared Occupancy Sensor, Wet Location, 360° Lens, 40' Diameter Coverage From 20' Height, 120/277V
HB350W-L4	Wattstopper Passive Infrared Occupancy Sensor, Wet Location, 360° Lens, 60' Diameter Coverage From 40' Height, 120/277V

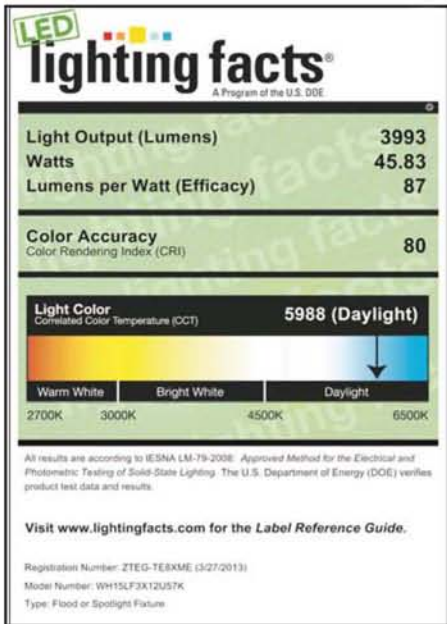
LED Series

LED Hooded Semi-Cutoff Wall Pack, Medium

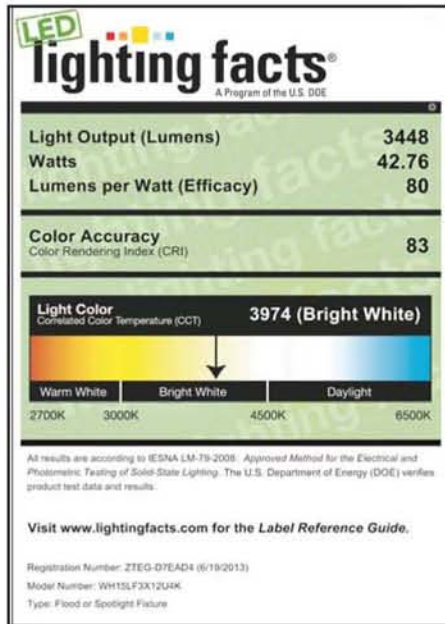


HB350W-L3/L4

■ CONTROLLED WITH *WattStopper*®



LM-79 Report available.



LM-79 Report available.

