

LED Series

LED 16" Square Shoebox



AL70L

Housing:

Die cast aluminum housing & hinged front frame, 1/2" coin plugs for conduit & photocell, textured powdercoat finish over a chromate conversion coating.

Mounting:

Mount with extruded mounting arms or direct pole mount arm.

LG LED Module:

Luminous Flux: See Chart
 CRI: 80+, CCT: 4000K, 5700K or 6500K
 Operating Temperature: -40 ~ 50°C
 50,000 Hours
 Module has IP67 Rating
 RoHS Compliant
 R9: -0.9

Wattage:

LED: 6 x 9 or 12w, 7 x 9 or 12w

Driver:

Electronic Driver, 120-277V, 50/60Hz
 Power Factor: .90
 Input Current: 1.4A@120VAC
 Current: .53mA
 THD: ≤20%
 System Wattage: 13.6w per Module

Listing & Ratings:

CSA: Listed for wet locations

LM-79 Report available on select models.

Options:

Dimmable Driver
 2.5KV Surge Protection

Custom colors available upon request.

DESIGNLIGHTS CONSORTIUM

DesignLights Consortium Qualified Luminaires:
 AL70LF7X12U57K

LED 16" Square Shoebox

Catalog # Description

Example: AL70LF7X12U4KZEM18ARSP

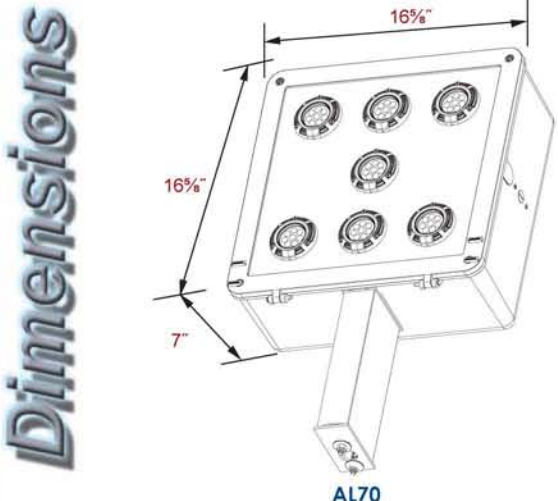
AL70	Model:	AL70
L	LED Mfr:	L=LG Innotek
F	Optics:	C=Type III, F=Medium Beam Spread
7X	Number of Modules:	6X=Six, 7X=Seven
12	Wattage:	9=9w, 12=12w
U	Ballast:	U=120-277V
4K	CCT:	4K=4000K, 57K=5700K, 65K=6500K
Z	Color:	B=Black, Z=Bronze, W=White, G=Gray
EM18AR	Mounting:	EM6*=6" Aluminum Extruded Mounting Arm, EM10*=10" Aluminum Extruded Mounting Arm, EM12*=12" Aluminum Extruded Mounting Arm, EM18*=18" Aluminum Extruded Mounting Arm, AM=Heavy Duty Adjustable Direct Mount Pole Arm *Specify Mounting: R=Round Pole, AS=15° Angled Arm for Square Poles, AR=15° Angled Arm for Round Poles
SP	Options:	L3=HB350W-L3 Wattstopper Occupancy Sensor, 20' Height L4=HB350W-L4 Wattstopper Occupancy Sensor, 40' Height SF=Single Fuse, DF=Double Fuse, SP=Surge Protection

LD

LED lighting facts

LED Product Partner

Total Luminous Flux per Module	CCT	Optic Type					
		C		F		I	
		12w	9w	12w	9w	12w	9w
	6500K	1288	850	1345	888	1296	856
	5700K	1288	850	1345	888	1296	856
	4000K	1076	710	1100	726	1088	718



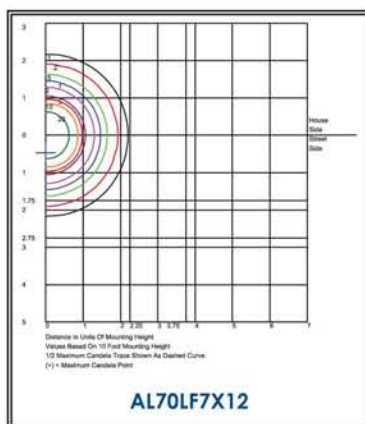
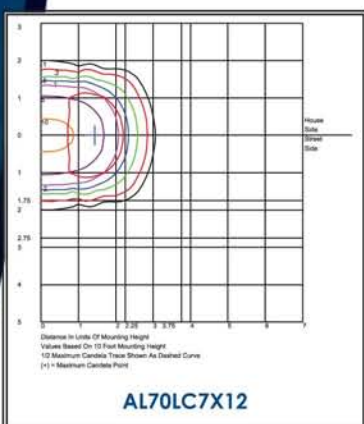
LD-121

LD

Photometrics

Catalog #	Description
AL73GS#	Glare Shield, Aluminum with Powdercoat Finish, can be reverse mounted as a back cutoff
FLAM	Heavy-Duty Adjustable Direct Mount Pole Arm, Bronze Finish, Angle Indicators & Hardware
FLEM6*#	6" Aluminum Extruded Mounting Arm, Bronze, Gasket & Hardware. Fits Square Poles.
FLEM10*#	10" Aluminum Extruded Mounting Arm, Bronze, Gasket & Hardware. Fits Square Poles.
FLEM12*#	12" Aluminum Extruded Mounting Arm, Bronze, Gasket & Hardware. Fits Square Poles.
FLEM18*#	18" Aluminum Extruded Mounting Arm, Bronze, Gasket & Hardware. Fits Square Poles.
PTASUNV#	Square Pole Tenon Adaptor Allows Installation of up to 4 Fixtures, Fits 2 ³ / ₈ " Diameter Vertical Tenon, Bronze Finish. Use FLEMs.
FLEMWM#	Heavy-duty Steel Wall Bracket for FLEM Mounting Arms, Bronze Powdercoat Finish.
HB350W-L3	Wattstopper Passive Infrared Occupancy Sensor, Wet Location, 360° Lens, 40' Diameter Coverage From 20' Height, 120/277V
HB350W-L4	Wattstopper Passive Infrared Occupancy Sensor, Wet Location, 360° Lens, 60' Diameter Coverage From 40' Height, 120/277V

*Specify Mounting: R=Round Pole, AS=15° Angled Arm for Square Poles, AR=15° Angled Arm for Round Poles
 #Specify Color: B=Black, Z=Bronze, W=White, G=Gray



LED Series
 LED 16" Square Shoebox



AL73GS



FLAM



FLEM6



FLEM10



FLEM12



FLEM18



PTASUNV

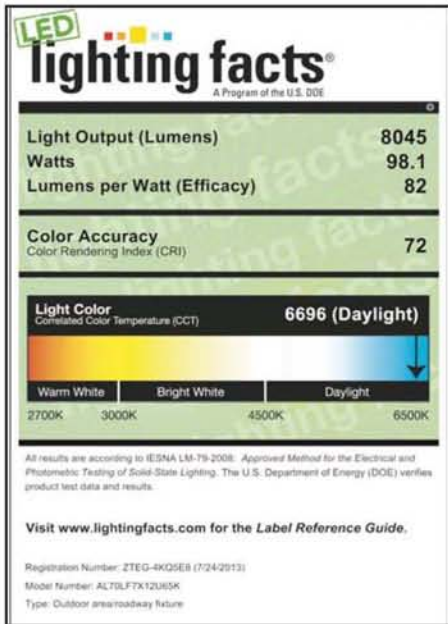


FLEMWM

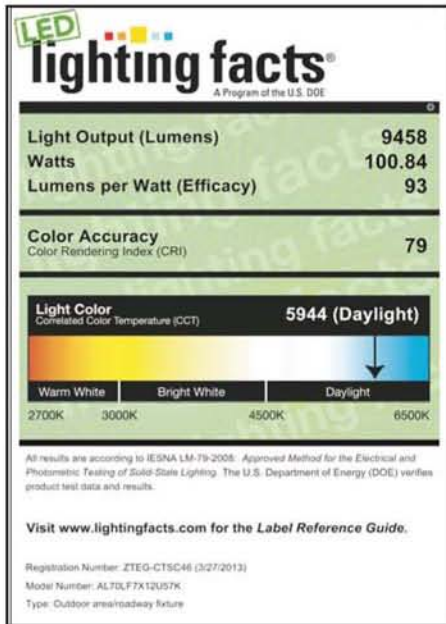


HB350W-L3/L4

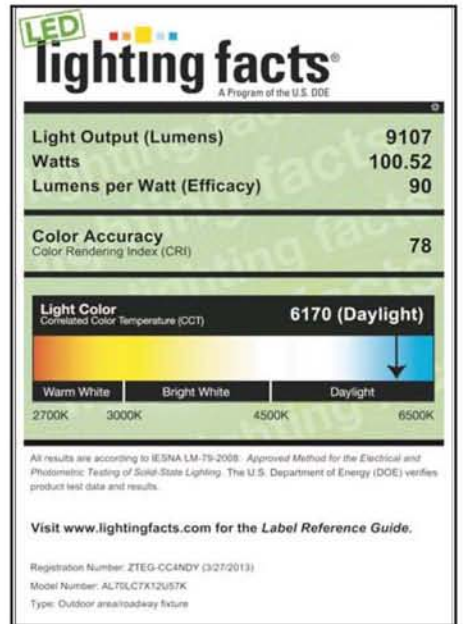
■ CONTROLLED WITH *WattStopper*



LM-79 Report available.



LM-79 Report available.
DesignLights Consortium Qualified Luminaire.



LM-79 Report available.