

LED Series

LED 16" Flood



FL70

Housing:

Die Cast Aluminum Housing & Hinged Front Frame, 1/2" Coin Plugs for Conduit & Photocell, Textured Architectural Bronze Powdercoat Finish Over a Chromate Conversion Coating

Mounting:

Mount with Two-Piece Swivel Bracket, Adjustable Slipfitter, Extruded Mounting Arms, Yoke, or Direct Pole Mount Arm

LG LED Module:

Luminous Flux: See Chart
 CRI: 70+, CCT: 4000K, 5700K or 6500K
 Operating Temperature: -40 ~ 50°C
 50,000 Hours
 Module has IP67 Rating
 RoHS Compliant

Wattage:

LED: 5 x 9 or 12w

Driver:

Electronic Driver, 120-277V, 50/60Hz

Listing & Ratings:

CSA: Listed for Wet Locations

Options:

Dimmable Driver
 2.5KV Surge Protection

Custom Colors Available Upon Request.

LED 16" Flood

Catalog

Description

Complete Units

Ordering Information

Example: FL70LF5X12U4KZBRSP

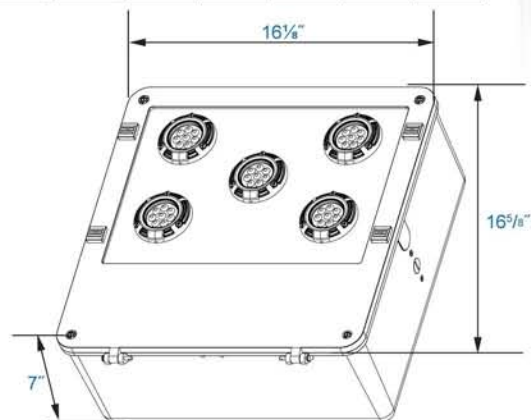
FL70	Model:	FL70
L	LED Mfr:	L=LG Innotech
F	Optics:	F=Medium Flood
5X	Number of Modules:	5X=Five
12	Wattage:	9=9w, 12=12w
U	Ballast:	U=120-277V
4K	Color Temp:	4K=4000K, 57K=5700K, 65K=6500K
Z	Color:	Z=Bronze
BR	Mounting:	BR=Two-Piece Swivel Bracket, SF=Slipfitter
SP	Options:	L3=HB350W-L3 Wattstopper Occupancy Sensor, 20' Height L4=HB350W-L4 Wattstopper Occupancy Sensor, 40' Height SF=Single Fuse, DF=Double Fuse, SP=Surge Protection

LD

Total Luminous Flux per Module

CCT		Optic Type					
		C		F		I	
		12w	9w	12w	9w	12w	9w
6500K	1288	850	1345	888	1296	856	
	1288	850	1345	888	1296	856	
	1076	710	1100	726	1088	718	

DIMENSIONS



FL70

LED Series

LED 16" Flood

Catalog #	Description
AL73GS	Glare Shield, Aluminum, Bronze Powdercoat Finish (Can be reverse mounted as a back cutoff.)
FL73BR	Two-Piece Swivel Bracket, Stamped, Bronze Finish
FL73SFX	External Mount Slipfitter, Die Cast, Hardware & Angle Indicator Coin Plug
FL70LY	Yoke, Stamped Heavy Duty Steel, Textured Bronze Finish
FLAM	Heavy Duty Adjustable Direct Mount Pole Arm, Bronze Finish, Angle Indicators & Hardware.
FLEM6*	6" Aluminum Extruded Mounting Arm, Bronze, Gasket & Hardware. Fits Square Poles.
FLEM10*	10" Aluminum Extruded Mounting Arm, Bronze, Gasket & Hardware. Fits Square Poles.
FLEM12*	12" Aluminum Extruded Mounting Arm, Bronze, Gasket & Hardware. Fits Square Poles.
FLEM18*	18" Aluminum Extruded Mounting Arm, Bronze, Gasket & Hardware. Fits Square Poles.
PTASUNV	Square Pole Tenon Adaptor Allows Installation of up to 4 Fixtures, Fits 2 1/8" Diameter Vertical Tenon, Bronze Finish. Use FLEMs.
FLEMWM	Heavy-duty Steel Wall Bracket for FLEM Mounting Arms, Bronze Powdercoat Finish.
HB350W-L3	Wattstopper Passive Infrared Occupancy Sensor, Wet Location, 360° Lens, 40' Diameter Coverage From 20' Height, 120/277V
HB350W-L4	Wattstopper Passive Infrared Occupancy Sensor, Wet Location, 360° Lens, 60' Diameter Coverage From 40' Height, 120/277V

*Specify Mounting: R=Round Pole, AS=15° Angled Arm for Square Poles, AR=15° Angled Arm for Round Poles



AL73GS



FL73BR



FL73SFX



FL70LY



FLAM



FLEM6



FLEM10



FLEM12



FLEM18



PTASUNV

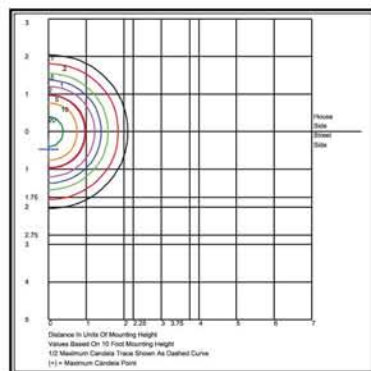


FLEMWM



HB350W-L3/L4

■ CONTROLLED WITH **WattStopper**®



FL70LF5X12