

## LED Series

### TRS1 Mini Triad 90° Full Cutoff Wall Sconce



TRS1

#### Housing:

Die Cast Aluminum Housing with Integral Heat Sinks for Cooler Operating Temperatures. UV-Resistant DuPont Powdercoat Paint Over a Chromate Conversion Coating for Added Durability. Stainless Steel Fasteners and Formed Silicone Gaskets.

#### Mounting:

Mount Over a 4" Recessed Outlet Box or Use Optional Cast Aluminum Mounting Plate (Sold Separately)

#### LG LED Module:

Luminous Flux: See Chart  
 CRI: 70+, CCT: 4000K, 5700K or 6500K  
 Operating Temperature: -40 ~ 50°C  
 50,000 Hours  
 Module has IP67 Rating  
 RoHS Compliant

#### Wattage:

LED: 1 x 9 or 12w

#### Driver:

Electronic Driver, 120-277V, 50/60Hz

#### Listing & Ratings:

CSA: Listed for Wet Locations

#### Options:

Dimmable Driver

Custom Colors Available Upon Request.

### TRS1 Mini Triad 90° Full Cutoff Wall Sconce

Catalog #

Description

Complete Units

Ordering Information

Example: TRS1LF1X12U4KZ

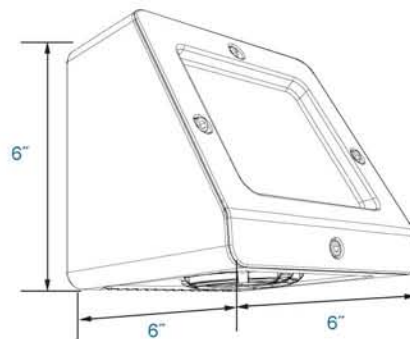
TRS1	Model:	TRS1
L	LED Mfr:	L=LG Innotek
F	Optics:	C=Type III, F=Medium Beam Spread
1X	Number of Modules:	1X=One
12	Wattage:	9=9w, 12=12w
U	Ballast:	U=120-277V
4K	Color Temp:	4K=4000K, 57K=5700K, 65K=6500K
Z	Color:	Z=Bronze
-	Mounting:	N/A
-	Options:	SF=Single Fuse, DF=Double Fuse

LD

#### Total Luminous Flux per Module

		Optic Type					
		C		F		I	
		12w	9w	12w	9w	12w	9w
CCT	6500K	1288	850	1345	888	1296	856
	5700K	1288	850	1345	888	1296	856
	4000K	1076	710	1100	726	1088	718

DIMENSIONS



TRS1

**LED Series**

**TRS1 Mini Triad 90° Full Cutoff  
Wall Sconce**

Catalog #	Description
WPMP	Die Cast Wall Mount Plate with Locknut, O-ring & Weatherproof Gasket



WPMP

LD