

LED Series

TR4 90°/30° Triad Up/Down Light



TR4

Housing:

Die cast aluminum housing with integral heat sinks for cooler operating temperatures. UV-Resistant DuPont powdercoat paint over a chromate conversion coating for added durability. Stainless steel fasteners and formed silicone gaskets.

Mounting:

Mount Over a 4" Recessed Outlet Box or Use Optional Cast Aluminum Mounting Plate (Sold Separately)

LG LED Module:

Luminous Flux: See Chart
CRI: 80+, CCT: 4000K, 5700K or 6500K
Operating Temperature: -40 ~ 50°C
50,000 Hours
Module has IP67 Rating
RoHS Compliant
R9: -0.9

Wattage:

LED: Up is 1 or 2 x 9 or 12w
Down is 1, 2, 3, or 4 x 9 or 12w

Driver:

Electronic Driver, 120-277V, 50/60Hz
Power Factor: .90
Input Current: 0.69A@120VAC
Current: .53mA
THD: <20%
System Wattage: 13.6w per Module

Listing & Ratings:

CSA: Listed for wet locations

LM-79 Report available on select models.

Options:

Dimmable Driver
2.5KV Surge Protection

Custom colors available upon request.

TR4 90°/30° Triad Up/Down Light

Catalog # Description

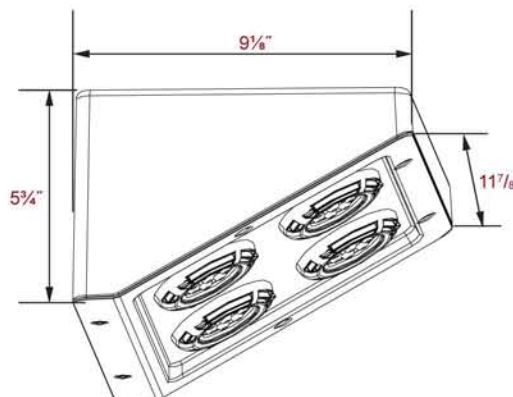
Example: TR4LF1/4X12U4KZSP

TR4	Model:	TR4
L	LED Mfr:	L=LG Innotek
F	Optics:	C=Type III, F=Medium Beam Spread
1/4X	Number of Modules:	Up: 1/=One, 2/=Two Down: 1X=One, 2X=Two, 3X=Three, 4X=Four
12	Wattage:	9=9w, 12=12w
U	Ballast:	U=120-277V
4K	CCT:	4K=4000K, 57K=5700K, 65K=6500K
Z	Color:	B=Black, Z=Bronze, W=White, G=Gray
-	Mounting:	N/A
SP	Options:	SF=Single Fuse, DF=Double Fuse, SP=Surge Protection

LED
lighting
facts
LED Product Partner

	Total Luminous Flux per Module	Optic Type					
		C		F		I	
		12w	9w	12w	9w	12w	9w
CCT	6500K	1288	850	1345	888	1296	856
	5700K	1288	850	1345	888	1296	856
	4000K	1076	710	1100	726	1088	718

Dimensions



TR4

LD

Photometrics

LD-50

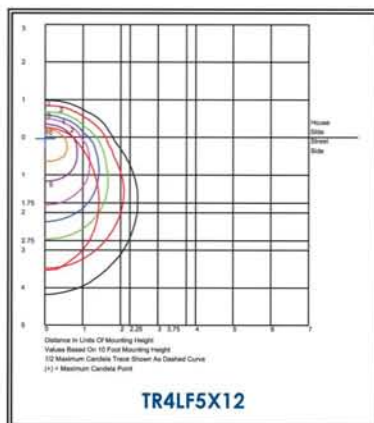
Catalog #	Description
WPMP	Die Cast Wall Mount Plate with Locknut, O-ring & Weatherproof Gasket

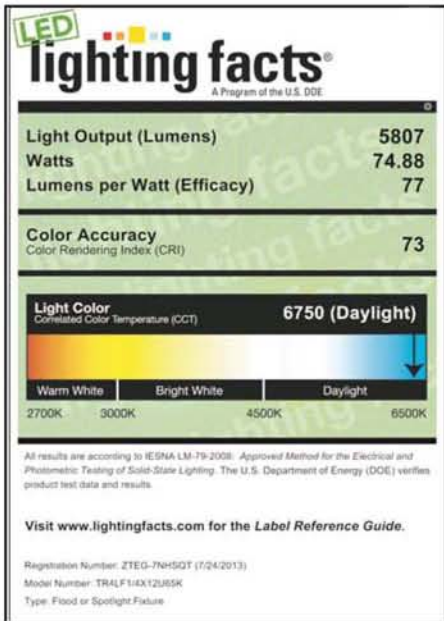
LED Series

TR4 90°/30° Triad Up/Down Light

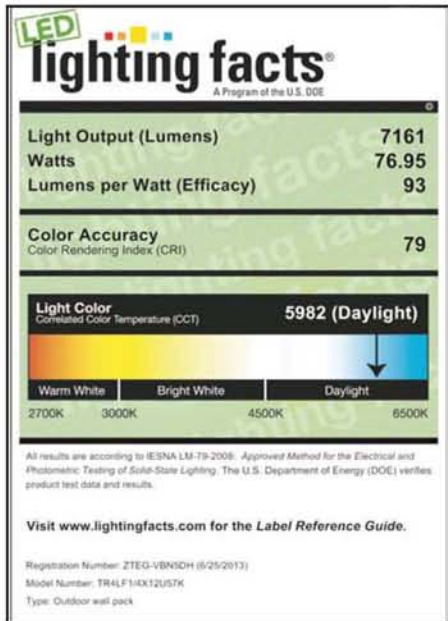


WPMP

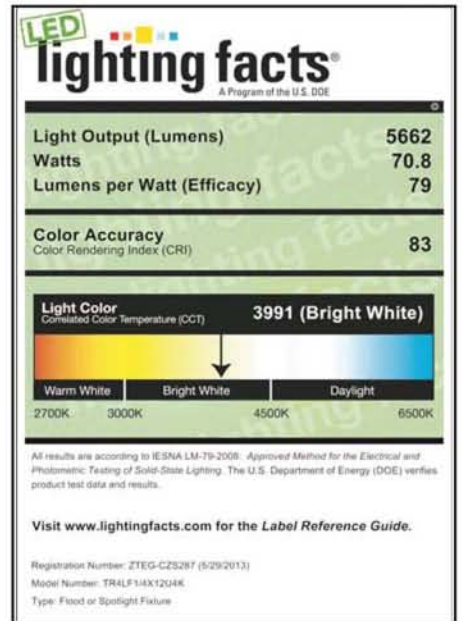




LM-79 Report available.



LM-79 Report available.



LM-79 Report available.

