

LED Series

TR3 Triad 30° Area Light



TR3

Housing:

Die Cast Aluminum Housing with Integral Heat Sinks for Cooler Operating Temperatures. UV-Resistant DuPont Powdercoat Paint Over a Chromate Conversion Coating for Added Durability. Stainless Steel Fasteners and Formed Silicone Gaskets.

Mounting:

Pole Mount with 6" Extruded Mounting Arm.

LG LED Module:

Luminous Flux: See Chart
 CRI: 80+, CCT: 4000K, 5700K or 6500K
 Operating Temperature: -40 ~ 50°C
 50,000 Hours
 Module has IP67 Rating
 RoHS Compliant
 R9: -0.9

Wattage:

LED: 1 x 9 or 12w; 2 x 9 or 12w; 3 x 9 or 12w;
 4 x 9 or 12w

Driver:

Electronic Driver, 120-277V, 50/60Hz
 Power Factor: .90
 Input Current: 0.69A@120VAC
 Current: .53mA
 THD: ≤20%
 System Wattage: 13.6w per Module

Listing & Ratings:

CSA: Listed for Wet Locations

Options:

Dimmable Driver
 2.5KV Surge Protection

Custom Colors Available Upon Request.

TR3 Triad 30° Area Light

Catalog #

Description

Complete Units

Ordering Information

Example: TR3LF4X12U4KZEM6SP

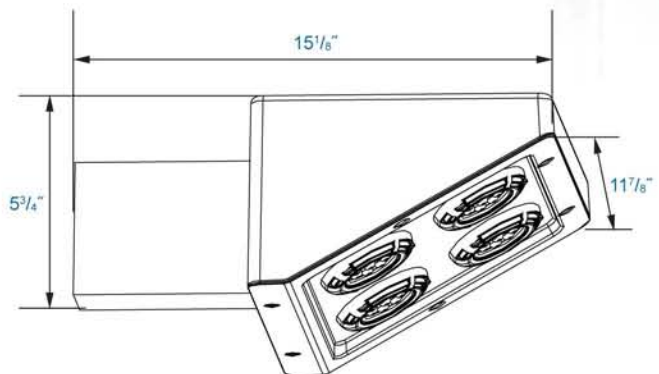
| TR3 | Model: | TR3 |
|-----|--------------------|---|
| L | LED Mfr: | L=LG Innotek |
| F | Optics: | C=Type III, F=Medium Beam Spread |
| 4X | Number of Modules: | 1X=One, 2X=Two, 3X=Three, 4X=Four |
| 12 | Wattage: | 9=9w, 12=12w |
| U | Ballast: | U=120-277V |
| 4K | Color Temp: | 4K=4000K, 57K=5700K, 65K=6500K |
| Z | Color: | Z=Bronze |
| EM6 | Mounting: | EM6*=6" Aluminum Extruded Mounting Arm, *Specify Mounting: R=Round Pole, AS=15° Angled Arm for Square Poles, AR=15° Angled Arm for Round Poles |
| SP | Options: | SF=Single Fuse, DF=Double Fuse, SP=Surge Protection |

LD

Total Luminous Flux per Module

| CCT | | Optic Type | | | | | |
|-------|------|------------|------|-----|------|-----|----|
| | | C | | F | | I | |
| | | 12w | 9w | 12w | 9w | 12w | 9w |
| 6500K | 1288 | 850 | 1345 | 888 | 1296 | 856 | |
| | 1288 | 850 | 1345 | 888 | 1296 | 856 | |
| | 1076 | 710 | 1100 | 726 | 1088 | 718 | |

DIMENSIONS



TR3

LED Series

TR3 Triad 30° Area Light

| Catalog # | Description |
|-----------|---|
| FLEM6* | 6" Aluminum Extruded Mounting Arm, Bronze, Gasket & Hardware. Fits Square Poles. |
| FLEMWM | Heavy-duty Steel Wall Bracket for FLEM Mounting Arms, Bronze Powdercoat Finish. |
| PTASUNV | Square Pole Tenon Adaptor Allows Installation of up to 4 Fixtures, Fits 2 3/8" Diameter Vertical Tenon, Bronze Finish. Use FLEMs. |

*Specify Mounting: R=Round Pole, AS=15° Angled Arm for Square Poles, AR=15° Angled Arm for Round Poles



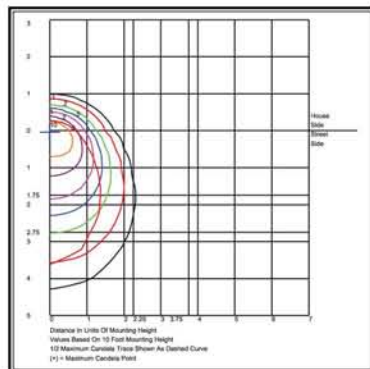
FLEM6



FLEMWM



PTASUNV



TR3LF4X12

LD

PHOTOMETRICS

LD-34