

## LED Series

### TR3 Triad 30° Area Light



TR3

#### Housing:

Die Cast Aluminum Housing with Integral Heat Sinks for Cooler Operating Temperatures. UV-Resistant DuPont Powdercoat Paint Over a Chromate Conversion Coating for Added Durability. Stainless Steel Fasteners and Formed Silicone Gaskets.

#### Mounting:

Pole Mount with 6" Extruded Mounting Arm.

#### LG LED Module:

Luminous Flux: See Chart  
 CRI: 80+, CCT: 4000K, 5700K or 6500K  
 Operating Temperature: -40 ~ 50°C  
 50,000 Hours  
 Module has IP67 Rating  
 RoHS Compliant  
 R9: -0.9

#### Wattage:

LED: 1 x 9 or 12w; 2 x 9 or 12w; 3 x 9 or 12w;  
 4 x 9 or 12w

#### Driver:

Electronic Driver, 120-277V, 50/60Hz  
 Power Factor: .90  
 Input Current: 0.69A@120VAC  
 Current: .53mA  
 THD: ≤20%  
 System Wattage: 13.6w per Module

#### Listing & Ratings:

CSA: Listed for Wet Locations

#### Options:

Dimmable Driver  
 2.5KV Surge Protection

Custom Colors Available Upon Request.

### TR3 Triad 30° Area Light

Catalog #

Description

Complete Units

Ordering Information

Example: TR3LF4X12U4KZEM6SP

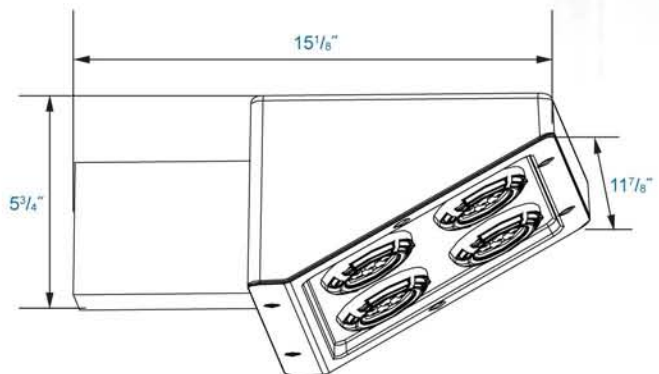
| TR3 | Model:             | TR3                                                                                                                                               |
|-----|--------------------|---------------------------------------------------------------------------------------------------------------------------------------------------|
| L   | LED Mfr:           | L=LG Innotek                                                                                                                                      |
| F   | Optics:            | C=Type III, F=Medium Beam Spread                                                                                                                  |
| 4X  | Number of Modules: | 1X=One, 2X=Two, 3X=Three, 4X=Four                                                                                                                 |
| 12  | Wattage:           | 9=9w, 12=12w                                                                                                                                      |
| U   | Ballast:           | U=120-277V                                                                                                                                        |
| 4K  | Color Temp:        | 4K=4000K, 57K=5700K, 65K=6500K                                                                                                                    |
| Z   | Color:             | Z=Bronze                                                                                                                                          |
| EM6 | Mounting:          | EM6*=6" Aluminum Extruded Mounting Arm,<br>*Specify Mounting: R=Round Pole, AS=15° Angled Arm for Square Poles, AR=15° Angled Arm for Round Poles |
| SP  | Options:           | SF=Single Fuse, DF=Double Fuse, SP=Surge Protection                                                                                               |

LD

#### Total Luminous Flux per Module

| CCT   |      | Optic Type |      |     |      |     |    |
|-------|------|------------|------|-----|------|-----|----|
|       |      | C          |      | F   |      | I   |    |
|       |      | 12w        | 9w   | 12w | 9w   | 12w | 9w |
| 6500K | 1288 | 850        | 1345 | 888 | 1296 | 856 |    |
|       | 1288 | 850        | 1345 | 888 | 1296 | 856 |    |
|       | 1076 | 710        | 1100 | 726 | 1088 | 718 |    |

DIMENSIONS



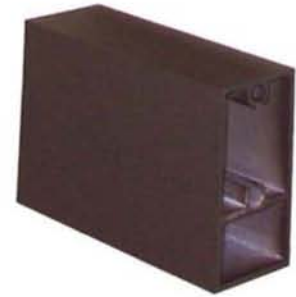
TR3

## LED Series

### TR3 Triad 30° Area Light

| Catalog # | Description                                                                                                                       |
|-----------|-----------------------------------------------------------------------------------------------------------------------------------|
| FLEM6*    | 6" Aluminum Extruded Mounting Arm, Bronze, Gasket & Hardware. Fits Square Poles.                                                  |
| FLEMWM    | Heavy-duty Steel Wall Bracket for FLEM Mounting Arms, Bronze Powdercoat Finish.                                                   |
| PTASUNV   | Square Pole Tenon Adaptor Allows Installation of up to 4 Fixtures, Fits 2 3/8" Diameter Vertical Tenon, Bronze Finish. Use FLEMs. |

\*Specify Mounting: R=Round Pole, AS=15° Angled Arm for Square Poles, AR=15° Angled Arm for Round Poles



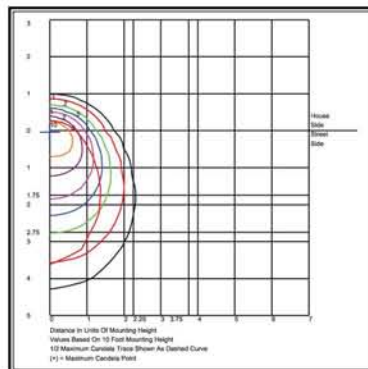
FLEM6



FLEMWM



PTASUNV



TR3LF4X12

LD

PHOTOMETRICS

LD-34