

LED Series

TR1 Triad 90° Full Cutoff Wall Sconce



TR1

Housing:

Die cast aluminum housing with integral heat sinks for cooler operating temperatures. UV-Resistant DuPont powdercoat paint over a chromate conversion coating for added durability. Stainless steel fasteners and formed silicone gaskets.

Mounting:

Mount Over a 4" Recessed Outlet Box or Use Optional Cast Aluminum Mounting Plate (Sold Separately)

LG LED Module:

Luminous Flux: See Chart
CRI: 80+, CCT: 4000K, 5700K or 6500K
Operating Temperature: -40 ≈ 50°C
50,000 Hours
Module has IP67 Rating
RoHS Compliant
R9: -0.9

Wattage:

LED: 1 x 9 or 12w; 2 x 9 or 12w

Driver:

Electronic Driver, 120-277V, 50/60Hz
Power Factor: .90
Input Current: 0.69A@120VAC
Current: .53mA
THD: ≤20%
System Wattage: 13.6w per Module

Listing & Ratings:

CSA: Listed for wet locations

LM-79 Report available on select models.

Options:

Dimmable Driver
2.5KV Surge Protection

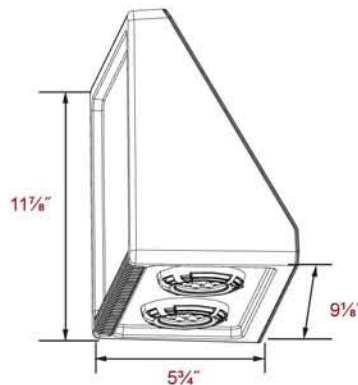
Custom colors available upon request.

LED lighting facts

LED Product Partner

	Total Luminous Flux per Module	Optic Type					
		C		F		I	
		12w	9w	12w	9w	12w	9w
CCT	6500K	1288	850	1345	888	1296	856
	5700K	1288	850	1345	888	1296	856
	4000K	1076	710	1100	726	1088	718

Dimensions



TR1

DESIGNLIGHTS CONSORTIUM

DesignLights Consortium Qualified Luminaires:
TR1LF2X12U57K

TR1 Triad 90° Full Cutoff Wall Sconce

Catalog #	Description	
Example: TR1LF2X12U4KZSP		
TR1	Model:	TR1
L	LED Mfr:	L=LG Innotek
F	Optics:	C=Type III, F=Medium Beam Spread
2X	Number of Modules:	1X=One, 2X=Two
12	Wattage:	9=9w, 12=12w
U	Ballast:	U=120-277V
4K	CCT:	4K=4000K, 57K=5700K, 65K=6500K
Z	Color:	B=Black, Z=Bronze, W=White, G=Gray
-	Mounting:	N/A
SP	Options:	SF=Single Fuse, DF=Double Fuse, SP=Surge Protection

LD

LD-33

LD

Photometrics

LD-34

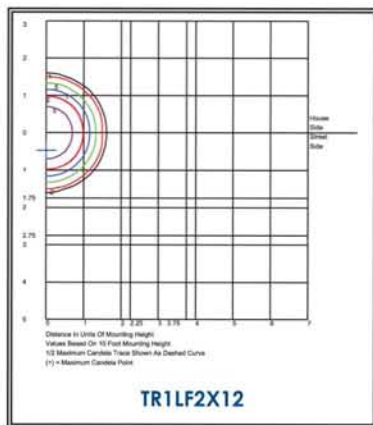
Catalog #	Description
WPMP	Die Cast Wall Mount Plate with Locknut, O-ring & Weatherproof Gasket

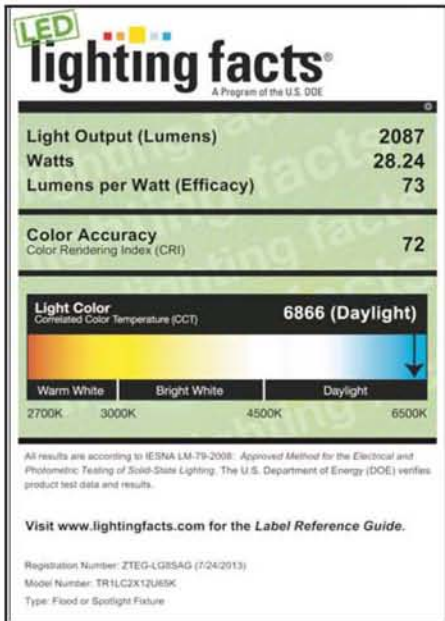
LED Series

TR1 Triad 90° Full Cutoff Wall Sconce

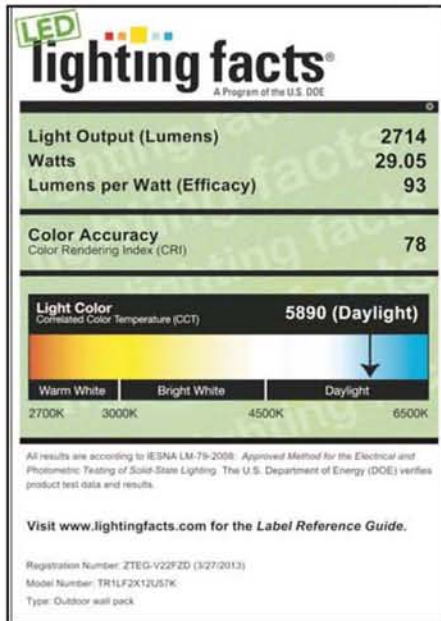


WPMP





LM-79 Report available.



LM-79 Report available.
DesignLights Consortium Qualified Luminaire.

