

## LED Series

### LED PAR Bullet



PB38HSV



PB38HSH

#### Housing:

Die Cast Aluminum Housing, Visor or Hood, Textured Black or White Powdercoat Finish Over a Chromate Conversion Coating.

#### Mounting:

½" NPS Adjustable Threaded Knuckle

#### LG LED Module:

Luminous Flux: See Chart

CRI: 70+, CCT: 4000K, 5700K or 6500K

Operating Temperature: -40 ~ 50°C

50,000 Hours

Module has IP67 Rating

RoHS Compliant

#### Wattage:

LED: 1 x 9 or 12w

#### Driver:

Electronic Driver, 120-277V, 50/60Hz

#### Listing & Ratings:

CSA: Listed for Wet Locations

LM-79 Report Available on Select Models.

#### Options:

Dimmable Driver

Custom Colors Available Upon Request.

### LED PAR Bullet

Catalog #

Description

Complete Units

Ordering Information

Example: PB38HSHLF1X12U4KBSF

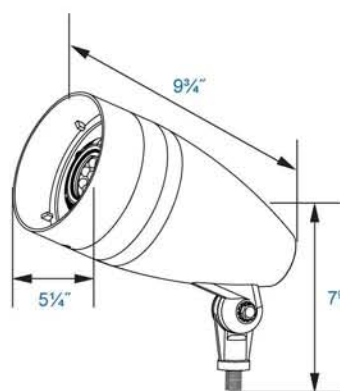
PB38HSH	Model:	PB38HSH (Hood) or PB38HSV (Visor)
L	LED Mfr:	L=LG Innotek
F	Optics:	F=Medium Beam Spread, I=Spot Beam
1X	Number of Modules:	1X=One
12	Wattage:	9=9w, 12=12w
U	Ballast:	U=120-277V
4K	CCT:	4K=4000K, 57K=5700K, 65K=6500K
B	Color:	B=Black, W=White
-	Mounting:	½" NPS Knuckle Included
SF	Options:	SF=Single Fuse, DF=Double Fuse

LD

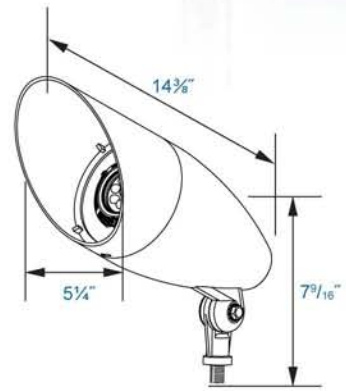


Total Luminous Flux per Module	CCT	Optic Type					
		C		F		I	
		12w	9w	12w	9w	12w	9w
	6500K	1288	850	1345	888	1296	856
	5700K	1288	850	1345	888	1296	856
	4000K	1076	710	1100	726	1088	718

DIMENSIONS



PB38HSH



PB38HSV

**LED Series**

**LED PAR Bullet**

Catalog #	Description
FLSTK	Heavy-Duty Ground Stake, Built-in Wiring Compartment
FLPTF	Post Top Fitter, Die Cast Aluminum, Three (3) ½" Coin Plugs

LD



FLSTK



FLPTF

**LED** **lighting facts**  
A Program of the U.S. DOE

<b>Light Output (Lumens)</b>	<b>786</b>
<b>Watts</b>	<b>15.33</b>
<b>Lumens per Watt (Efficacy)</b>	<b>51</b>

---

<b>Color Accuracy</b> Color Rendering Index (CRI)	<b>83</b>
--	-----------

---

**Light Color**  
Correlated Color Temperature (CCT) **4071 (Bright White)**

2700K    3000K    4500K    6500K

Warm White    Bright White    Daylight

All results are according to IESNA LM-79-2008 Approved Method for the Electrical and Photometric Testing of Solid-State Lighting. The U.S. Department of Energy (DOE) verifies product test data and results.

Visit [www.lightingfacts.com](http://www.lightingfacts.com) for the *Label Reference Guide*.

Registration Number: ZTEG-K3PGKK (5/29/2013)  
Model Number: PS38HSLVLF1K12U4K  
Type: Flood or Spotlight Fixture

*LM-79 Report Available.*