

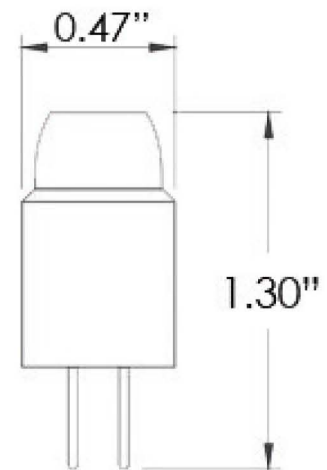
MICRO G4 (New for 2014)

Description:

BIG THINGS DO COME IN SMALL PACKAGES with the ALL NEW LED Micro G4. This sub-compact LED is designed specifically for landscape lighting retrofit and utilizes Samsung's chipset and features LED's multi-directional beam pattern which is energy efficient and water resistant, making it ideal for pathway lighting fixtures.

Specifications/Features:

- 12 Volts AC/DC
- 100 Lumens
- 2700K Warm White
- CRI: 85
- Samsung Chipset
- 35,000 Hours Lamp Life
- Water Resistant
- 3-Year Warranty
- New Ceramic Technology



PART NUMBER: BRI BIPIN MICRO G4

Actual product may vary slightly from description. All products, product specifications and data are subject to change without notice in order to improve reliability, function, design or otherwise.