

16 Watt LED Spot Light



16 Watt LED Spot Light

Installation

Surface mounted w/supplied bracket or junction box mounted with pivot arm. Before installation, please consult your local ordinances and building codes for compliance.

Warranty

Five years against defects in manufacturing.

Listing

UL/cUL Listed - Suitable for wet locations

Application

TCP's 16W LED Spot Light is designed for rough service applications that require a bright spot light. Applications include shipping and receiving loading docks, machine stations such as a stamping press, inspection stations, general work lighting, indoor and outdoor spot lighting, and other similar applications.

Description

LEDSL16K50BL01 Black Spot Light 5000k u-bracket NEMA 5-15 Cord

LEDSL16K50BL03 Black Spot Light 5000k 6 in. Lead Pivot Arm

This LED luminaire was designed for optimum performance and is a more efficient alternative to incandescent and halogen luminaires. The 16 Watt LED Spot Light features a 15° beam angle, is easy to install, and has a long life, making it perfect for hard to reach areas.

Construction

TCP's 16 Watt LED Spot Light features naturally rugged LEDs. It is constructed from die cast aluminum that is powder coated for a durable finish and has a shatter resistant polycarbonate lens. It is 6.75" tall (with u-bracket), 5.25" wide, 3.5" deep, and weighs 4.5 pounds. It is UL rated for wet locations (UL153). It is available with a u-bracket and cord with NEMA 5-15P plug or with a pivot arm and 6 inch leads.

Electrical

The driver is UL listed, has a power factor greater than 0.9, and an input voltage of 120-277 VAC (50/60 Hz). The Luminaire is rated at 16 watts with a THD of less than 10%.

Performance

LED Life: 50,000 hrs

CCT: White 6500°K

CRI: 70

Rated Maximum Candlepower (CBCP): 13,000

Rated Beam Angle: 15°

Rated Lumens: 850

Rated Input Watts: 16

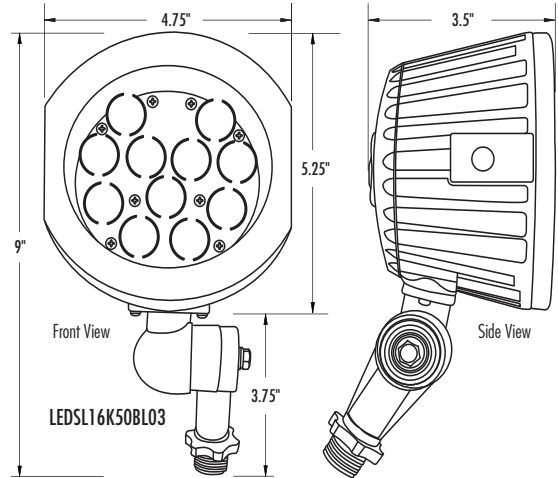
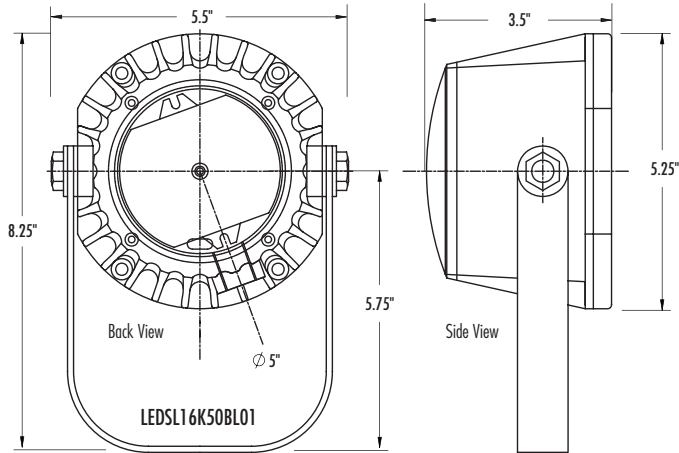
Rated Lumens per Watt: 53

Operating Temperature: -20°F ~ 140°F



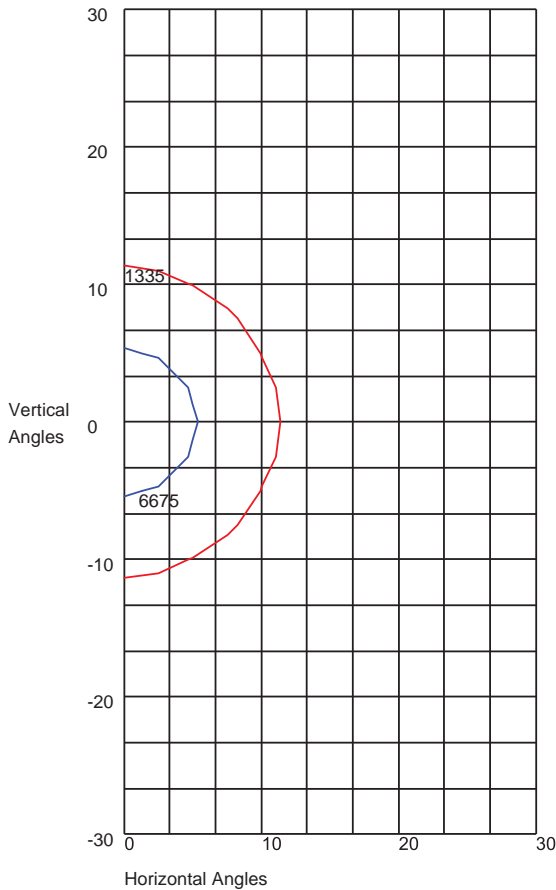
16 Watt LED Spot Light

Dimensions & Construction



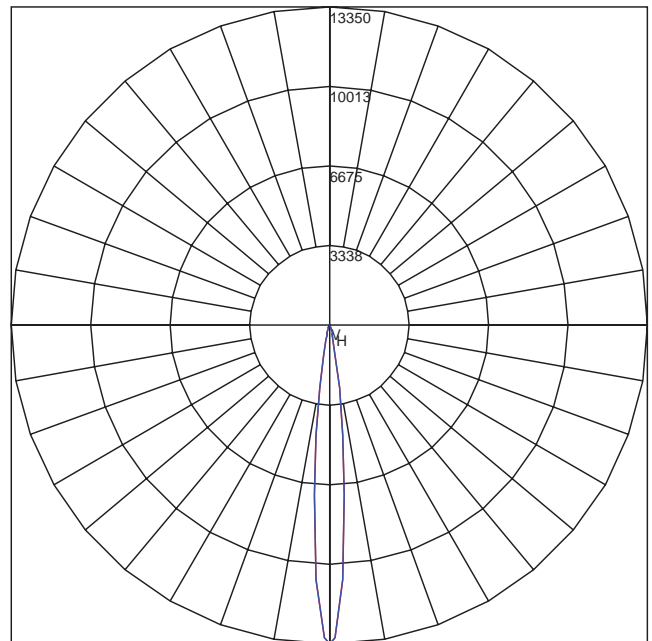
Photometric Report

Isocandela Curves



Maximum Candela = 13350 Located At Horizontal Angle = 0, Vertical Angle = 0
 50% Maximum Candela = 6675
 10% Maximum Candela = 1335

Axial Candela Display



Maximum Candela = 13350 Located At Horizontal Angle = 0, Vertical Angle = 0
 H - Horizontal Axial Candela
 V - Vertical Axial Candela

Photometric Report

NEMA Type	2 H x 2 V
Maximum Candlepower	13350
Maximum Candlepower Angle	0H 0V
Horizontal Beam Angle	10.7 deg
Vertical Beam Angle	10.7 deg
Total Lumens	863
Total Input Watts(120V)	17.115
Luminaire Efficacy Rating (LER)	50%