

## 16 Watt LED Spot Light



### 16 Watt LED Spot Light

#### Installation

Surface mounted w/supplied bracket or junction box mounted with pivot arm. Before installation, please consult your local ordinances and building codes for compliance.

#### Warranty

Five years against defects in manufacturing.

#### Listing

UL/cUL Listed - Suitable for wet locations

### Application

TCP's 16W LED Spot Light is designed for rough service applications that require a bright spot light. Applications include shipping and receiving loading docks, machine stations such as a stamping press, inspection stations, general work lighting, indoor and outdoor spot lighting, and other similar applications.

### Description

LEDSL16K50BL01 Black Spot Light 5000k u-bracket NEMA 5-15 Cord

LEDSL16K50BL03 Black Spot Light 5000k 6 in. Lead Pivot Arm

This LED luminaire was designed for optimum performance and is a more efficient alternative to incandescent and halogen luminaires. The 16 Watt LED Spot Light features a 15° beam angle, is easy to install, and has a long life, making it perfect for hard to reach areas.

### Construction

TCP's 16 Watt LED Spot Light features naturally rugged LEDs. It is constructed from die cast aluminum that is powder coated for a durable finish and has a shatter resistant polycarbonate lens. It is 6.75" tall (with u-bracket), 5.25" wide, 3.5" deep, and weighs 4.5 pounds. It is UL rated for wet locations (UL153). It is available with a u-bracket and cord with NEMA 5-15P plug or with a pivot arm and 6 inch leads.

### Electrical

The driver is UL listed, has a power factor greater than 0.9, and an input voltage of 120-277 VAC (50/60 Hz). The Luminaire is rated at 16 watts with a THD of less than 10%.

### Performance

LED Life: 50,000 hrs

CCT: White 6500°K

CRI: 70

Rated Maximum Candlepower (CBCP): 13,000

Rated Beam Angle: 15°

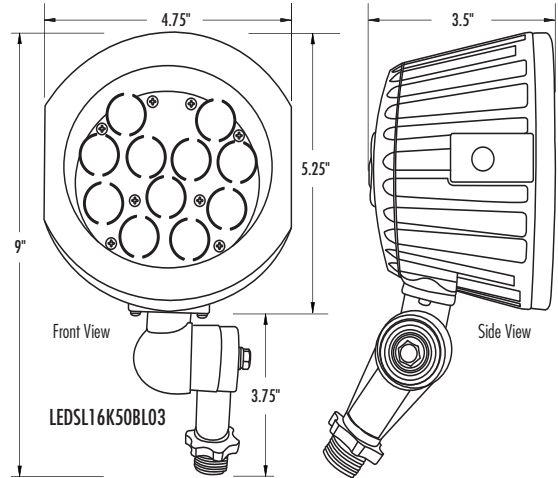
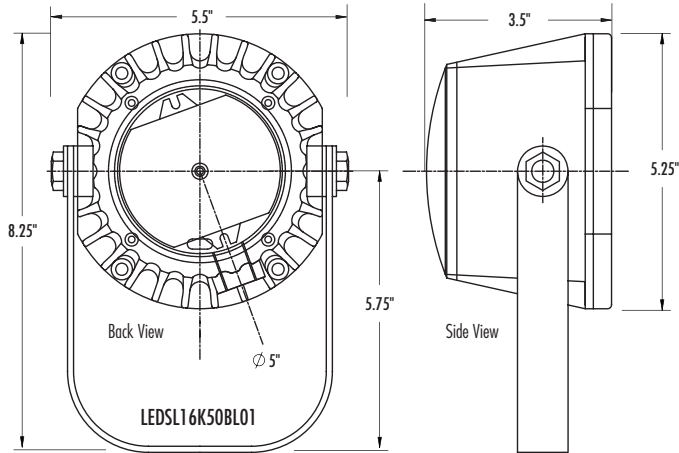
Rated Lumens: 850

Rated Input Watts: 16

Rated Lumens per Watt: 53

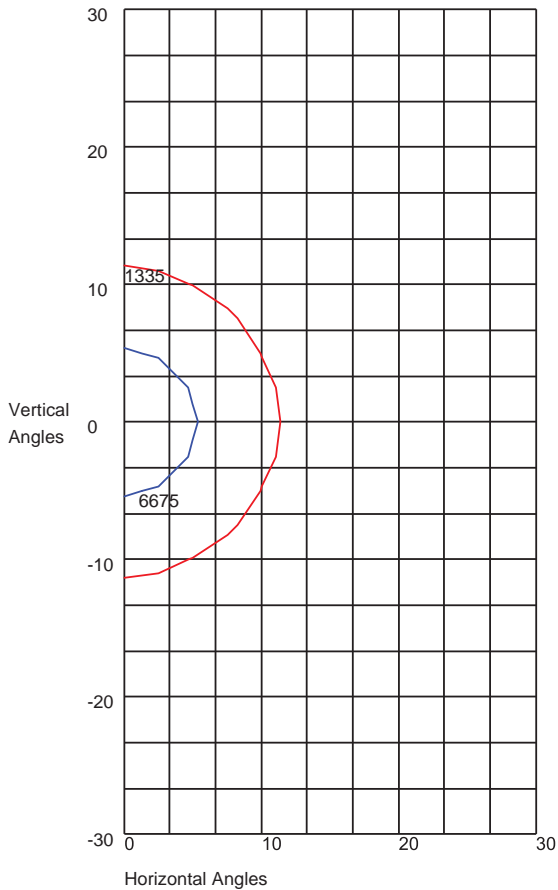
Operating Temperature: -20°F ~ 140°F

## Dimensions & Construction



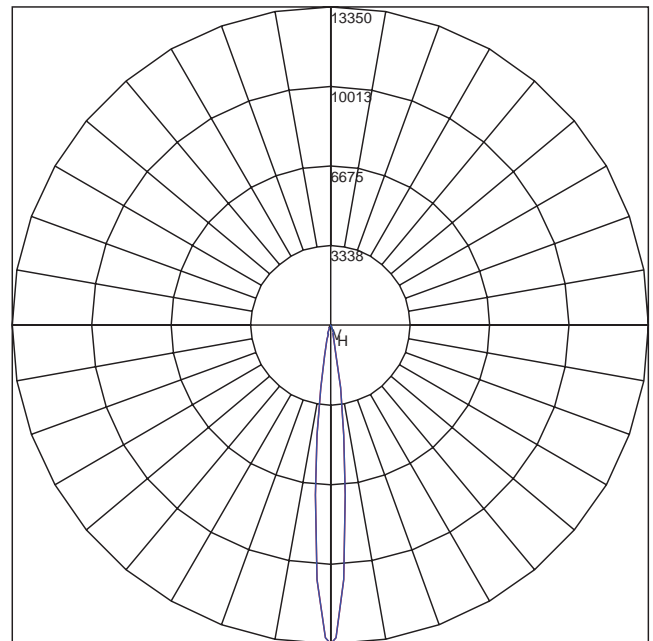
## Photometric Report

### Isocandela Curves



Maximum Candela = 13350 Located At Horizontal Angle = 0, Vertical Angle = 0  
 50% Maximum Candela = 6675  
 10% Maximum Candela = 1335

### Axial Candela Display



Maximum Candela = 13350 Located At Horizontal Angle = 0, Vertical Angle = 0  
 H - Horizontal Axial Candela  
 V - Vertical Axial Candela

### Photometric Report

NEMA Type	2 H x 2 V
Maximum Candlepower	13350
Maximum Candlepower Angle	0H 0V
Horizontal Beam Angle	10.7 deg
Vertical Beam Angle	10.7 deg
Total Lumens	863
Total Input Watts(120V)	17.115
Luminaire Efficacy Rating (LER)	50%