

USHIO

HALOGEN PAR LAMPS

ECO PLUS PAR SERIES



ECO PLUS PAR 20, 30, 30 LONG NECK, & 38 FOR GENERAL LIGHTING

USHIO's Halogen/Xenon ECO PLUS PAR lamps deliver brilliant, white light that is ideal for hospitality and retail environments. ECO PLUS PAR lamps take traditional PAR lamps to a new level, providing up to 30% energy savings while delivering excellent color rendering properties (100 CRI) for very accurate color discrimination. Since they deliver more lumens per watt and are fully dimmable, they are the cost effective solution for accent and display lighting.

Available in wattages ranging from 38W to 70W in sizes PAR 20, PAR 30, Long Neck PAR 30 and PAR 38 in flood beam patterns.

ECO PLUS PAR lamps are in compliance with the Energy Independence and Security Act of 2007.

FEATURES & BENEFITS

- **Energy-Saving**
Saves up to 30% more than traditional PAR lamps
- **Silver Coated Reflector for Improved Collection Efficiency**
- **Dimmable and Mercury Free**
- **Meets US Federal Minimum Efficiency Standard**

APPLICATIONS

- Retail Store Display Lighting
- Downlights in Offices, Hotels, & Retail Establishments
- Accent Lighting
- Track Lighting
- Indoor / Outdoor Flood Lighting

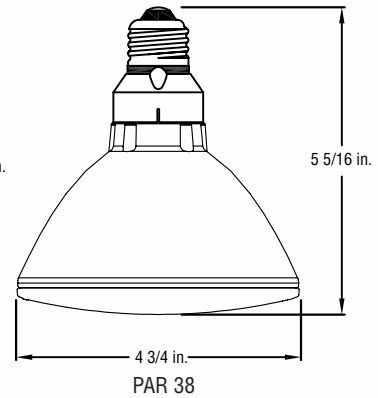
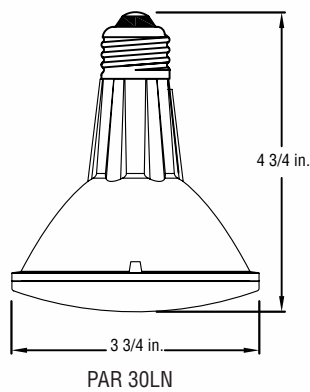
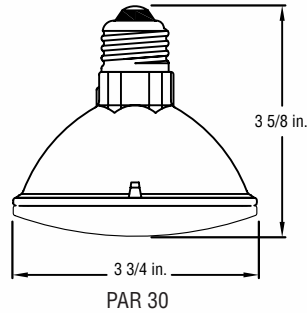
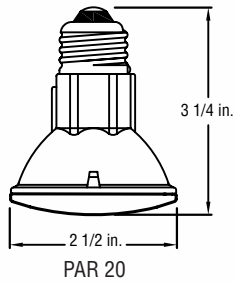
Distributed by:

USHIO

CHARACTERISTICS & SPECIFICATIONS

ECO PLUS PAR 20, 30, 30LN, & 38

2900K Color Temperature
E26 Medium Screw Base
Universal Burn Position



Watts (W)	Ushio Ordering Code	Ushio Lamp Description	Volts (V)	Beam Angle	Beam Spread	Approx Lumens (lm)	Avg Life (h)	Case Qty
ECO PLUS PAR 20								
Ⓔ 38	1003839	38PAR20/FL30/120V	120	30°	Flood	500	2500	15
ECO PLUS PAR 30								
Ⓔ 38	1003842	38PAR30/FL30/120V	120	30°	Flood	530	2500	15
Ⓔ 60	1003841	60PAR30/FL30/120V	120	30°	Flood	1070	2000	15
ECO PLUS PAR 30 LONG NECK								
Ⓔ 38	1003844	38PAR30LN/FL30/120V	120	30°	Flood	520	2500	15
Ⓔ 60	1003843	60PAR30LN/FL30/120V	120	30°	Flood	1070	2000	15
ECO PLUS PAR 38								
Ⓔ 38	1003847	38PAR38/FL25/120V	120	25°	Flood	550	2500	15
Ⓔ 43	1003848	43PAR38/FL25/120V	120	25°	Flood	700	2000	15
Ⓔ 60	1003845	60PAR38/FL25/120V	120	25°	Flood	1070	2000	15
Ⓔ 70	1003846	70PAR38/FL25/120V	120	25°	Flood	1310	2000	15

Ⓔ = This Bulb Meets US Federal Minimum Efficiency Standard

Only for use in approved Halogen fixtures

- DANGER! Halogen lamps operate at extremely high temperatures that can cause serious physical injuries and property damage.
- Only use Halogen lamps in Halogen approved fixtures.
- Do not use Halogen lamps in close proximity of paper, cloth or other combustible materials that can cause a fire hazard.
- Lamps are very fragile. Do not drop, crush, bend or shake them. Vibration or impact will cause filament breakage and short lamp life.
- Never touch the lamp when it is on, or soon after it has been turned off, as it is hot and may cause serious burns.
- Do not look directly at the operating lamp for any period of time; this may cause serious eye injury.
- Always turn off the electrical power before inserting, removing, or cleaning the lamp.
- Affix the lamp securely in the socket. Improper installations will cause electrical arcing, overheating and short life to lamp and socket. Replace lamp holders and sockets when necessary.
- Make sure lamps of specified wattage and voltage are only used in appropriately rated fixtures. Unspecified use will lead to short lamp life, breakage and overheating of fixture.
- Lamps should not be operated beyond the total rated voltage. Avoid the use of dimmers that may drive your lamp over its rated voltage.
- Use an external fuse when required.
- Do not allow one lamp to directly expose another. This may lead to overheating and shortened lamp life.



Scan with a smartphone to view this product online.

Form No. S-ECOPAR-0413: The specifications on this sheet supercede all previously published specifications and may be subject to change for design and specification improvement without prior notice.