

AFTR1-T

Arc Fault Circuit Interrupter (AFCI)

Brand Features

The SmartlockPro® Outlet Branch Circuit (OBC) AFCI Receptacle offers advanced technology to help protect against electrical fires resulting from arc-faults. Designed to detect a wide range of potentially hazardous arc-faults resulting from damage in branch circuit wiring as well as extensions to branches such as appliances and cord sets, the OBC AFCI responds by interrupting power. This helps reduce the likelihood of the home's electrical system being an ignition source of a fire. Often unseen, arc-faults can occur anywhere in the home's electrical system including within walls, at loose electrical connections or within electrical cords accidentally damaged by impinging furniture. AFCI's are now required by the National Electrical Code® in many areas of the home.

Item Description

15 Amp, 125 Volt @Receptacle, 20 Amp Feed-Through, Tamper-Resistant, AFCI Receptacle, Monochromatic, back and side wired, nylon wallplate, screws and self grounding clip included – Light Almond

Technical Information

AC Horsepower Ratings

At Rated Voltage: 1 HP

Electrical Specifications

Dielectric Voltage: Withstands 2000V per UL498

Temperature Rise: Max 30C after 100 cycles OL at 150 percent rated current

Environmental Specifications

Flammability: Rated V-2 per UL94

Operating Temperature: -35C to +66C

Material Specifications

Face Material: Thermoplastic

Body Material: Polycarbonate

Line Contacts: Brass Double-Wipe .031 Thick

Terminal Screws: Plated Steel

Grounding Screw: Plated Steel

Yoke: Zinc-Plated Steel

Clamps: Brass

Notes: w/ Wallplate

Mechanical Specifications

Terminal ID: Brass-Hot, Green-Ground, Silver-Neutral

Terminal Accom.: 14-10 AWG

Product ID: Ratings are permanently marked on device

Product Features

Series: AFTR1

Amperage: 15 Amp

Voltage: 125 Volt

NEMA: 5-15R

Feature: Tamper-Resistant

Pole: 2

Wire: 3

Termination: Back & Side

Grounding: Self-Grounding

Color: Light Almond

Strap Material: Galvanized Steel

Standards and Certifications: UL/CSA

Warranty: 2-Year Limited

Standards and Certifications

CSA C22.2 No. 42: Yes

NEMA: WD-6

CSA Technical Information Letter No. M-02A: Yes

ANSI: C-73

UL498: Yes

NOM: 057

UL1699.A: File E342815

UL Fed Spec WC-596: Yes



Color:



Light Almond

UPC Code: 07847757490

Country of Origin: Please Contact Customer Service

NEMA: 5-15R

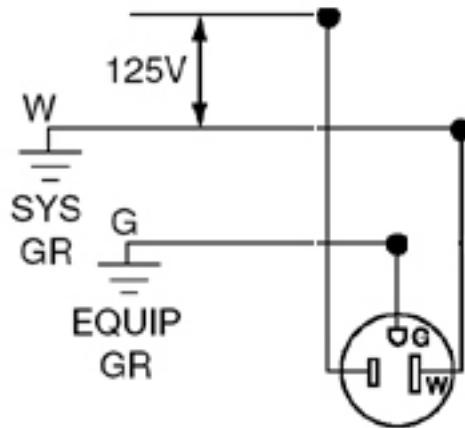


Features and Benefits

- Use of TEST and RESET buttons is similar to traditional GFCI receptacles of which consumers have become familiar with. This translates into greater acceptance of the technology and a more user-friendly platform
- Automatically tests the AFCI every time the RESET button is depressed; the AFCI will not reset if the AFCI circuit is not functioning properly

- By blocking reset of the AFCI if protection has been compromised, the SmartlockPro OBC AFCI reduces the possibility of end-users incorrectly assuming that a reset AFCI is providing protection when its functionality has been compromised
- A line-load reversal diagnostic feature is provided which prevents the AFCI from being reset and stops power from being fed to the AFCI receptacle face or through to downstream devices; a green LED indicator on the AFCI's face also illuminates to alert the installer to a line-load wiring reversal when the device is in the tripped state
- TR symbol indicates the device's compliance with the latest NEC® requirements for tamper-resistant receptacles in residences and childcare facilities
- Device design reduces nuisance tripping
- Impact-resistant thermoplastic cover and body
- Superior resistance to electrical surges and over-voltages
- Terminals allow for easy wiring options – back and side wire capable
- Compatible with all Decora® devices and wallplates; available in select colors
- Meets or exceeds UL requirements for tripping time on both series and parallel arcs

Wiring Diagram



5-15R

SPECIFICATION SUBMITTAL

JOB NAME:	CATALOG NUMBERS:	
<input type="text"/>	<input type="text"/>	<input type="text"/>
JOB NUMBER:	<input type="text"/>	<input type="text"/>

Leviton Manufacturing Co., Inc.

201 North Service Road, Melville, NY 11747

Telephone: 1-800-323-8920 · FAX: 1-800-832-9538 · Tech Line (8:30AM-7:30PM E.S.T. Monday-Friday): 1-800-824-3005

Leviton Manufacturing of Canada, Ltd.

165 Hymus Boulevard, Pointe Claire, Quebec H9R 1E9 · Telephone: 1-800-469-7890 ·

FAX: 1-800-824-3005 · www.leviton.com/canada

Leviton S. de R.L. de C.V.

Lago Tana 43, Mexico DF, Mexico CP 11290 · Tel.: (+52)55-5082-1040 · FAX: (+52)5386-1797 · www.leviton.com.mx

Visit our Website at: www.leviton.com

© 2012-2013 Leviton Manufacturing Co., Inc. All rights reserved. Subject to change without notice.

Leviton has a global presence.

If you would like to know where your local Leviton office is located please go to: www.leviton.com/international/contacts/

