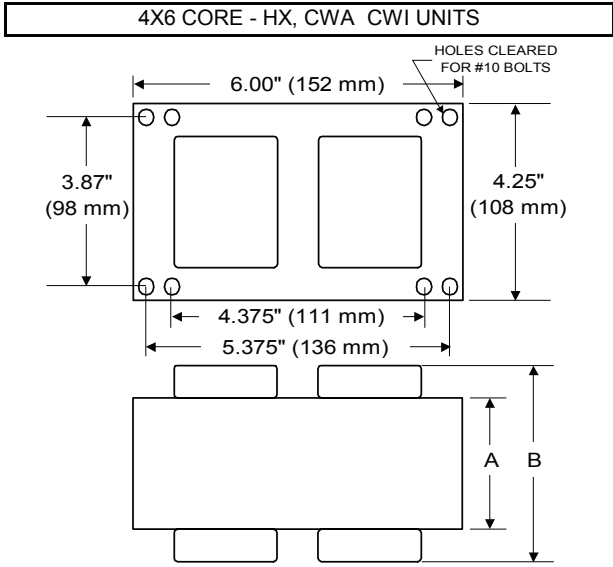




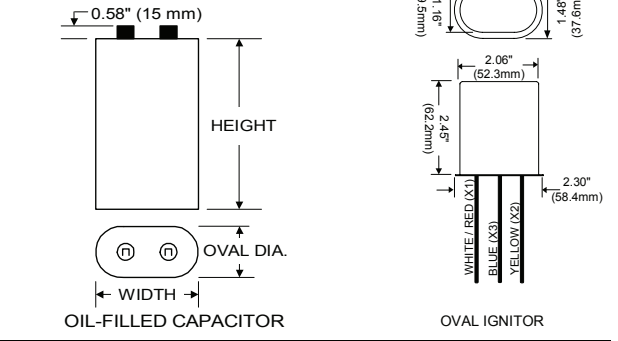
**BALLAST SPECIFICATION**

**775W M181**  
**Pulse Start Metal Halide**  
**V90Y9610T**  
**60 Hz CWA**

<b>Input Volts</b>	480
<b>Line Current ( Amps )</b>	
Operating	1.85
Open Circuit	1.55
Starting	1.20
<b>Recommended Fuse (Amps)</b>	5
<b>Regulation</b>	
Line Volts	±10%
Lamp Watts	±10%
<b>Temperature Ratings</b>	
Insulation Class	180 (H)
Coil Temperature Code	D
Benchtop Coil Rise	88.9
<b>Power Factor (Min)</b>	90%
<b>Input Watts</b>	855 W
<b>Efficiency</b>	
<b>NOM. Open Circuit Voltage</b>	415
<b>Input Voltage At Lamp Dropout</b>	230
<b>Min Ambient Starting Temp</b>	-20°F/-30°C*
<b>60 HZ TEST PROCEDURES</b>	
<b>High Potential Test (Volts)</b>	
1 Minute	1,850 V
1 Second	2,200 V
<b>Open Circuit Voltage Test (V)</b>	375 - 455
<b>Short Circuit Current Test (A)</b>	
Secondary Current	Min 4.30
	Max 5.30
Input Current	Min 1.00
	Max 1.50
<b>CORE and COIL Specifications</b>	
Dimension (A)	2.80 in
Dimension (B)	4.95 in
Weight	21.0 lb's
Lead Lengths	12"
<b>Capacitor Requirement</b>	
Microfarads	22.0 uf
Volts (Min)	490 V



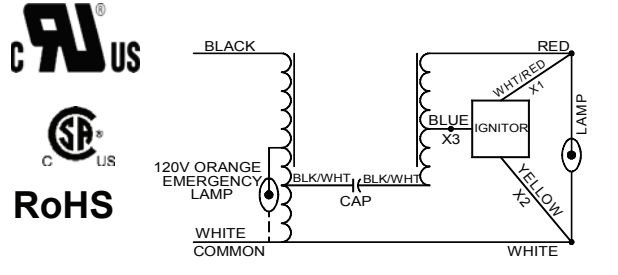
<b>Capacitor:</b>	ACB3270V	<b>Ignitor:</b>	BVS-020
Microfarads:	22.0 uf	Case Temp (Max):	105 °C
Volts (Max):	525 V	BTL Distance (Max):	10 ft
Case Temp (Max):	100 °C		
Height (Max):	3.94 in		
Dia / Oval Dia (Max):	1.97 in		
Oval Width (Max):	2.97 in		



**Ordering Information**    Add Suffix for options

C - With Capacitor  
K - Prewired, with Capacitor and Bracket Kit  
B - With Welded Bracket, no cap  
CB - With Capacitor and Welded Bracket

\* -40°F/-40°C Min Ambient Starting Temp with Venture Lamp  
Coil material: primary Cu and secondary Al  
RoHS compliant on all manufactured products after August 1, 2007  
Data is based upon tests performed by Venture Lighting in a controlled environment and is representative of relative performance. Actual performance can vary depending on operating conditions. Specifications are subject to change without notice.



**7/1/2008    Production**