

UPHORIA™

LED REFLECTOR



FEATURES & BENEFITS:

- Energy Saving
- Dimmable
- Wide, Soft Beam That Reduces Glare
- Direct Replacement for Incandescent R and BR Lamps
- Same form factor as incandescent R lamps
- Long Life: 25,000 Hours
- Aluminum Reflector for Better Reflectivity and Heat Dissipation
- Application Friendly: UV Free & IR Free
- Environmentally Friendly: Mercury Free, Lead Free & RoHS Compliant
- 3-Year Limited Warranty
- Damp Location Rated**

** May only be used in sheltered outdoor areas that are protected from direct contact with rain, snow, or excessive moisture.

UPHORIA™ LED Reflectors: R20, R30 & R40

Uphoria LED reflector lamps provide energy-saving, professional accent lighting with soft, glare-free illumination that's perfect for any surface.

These dimmable R20, R30 and R40 LED lamps are designed in the classic shape of incandescent reflector lamps, but offer modern quality solid state illumination. The Uphoria LED reflector lamps are direct replacements for standard incandescent lamps offering significant energy savings and with a 25,000 hour life rating, lasting 10 times more than the standard incandescent lamp life.

USHIO is proud to stand behind these Energy Star Qualified LED lamps with a 3-year limited warranty.

All Uphoria LED reflectors are 120V Warm White (3000K), Wide Flood lamps available in 8W R20, 11W R30 as well as the 13W & 18W R40 types.

APPLICATIONS:

- Recessed Lighting
- Display Lighting
- Accent Lighting
- Art Gallery & Museum Lighting
- Office Lighting
- Hospitality Lighting

Distributed by:

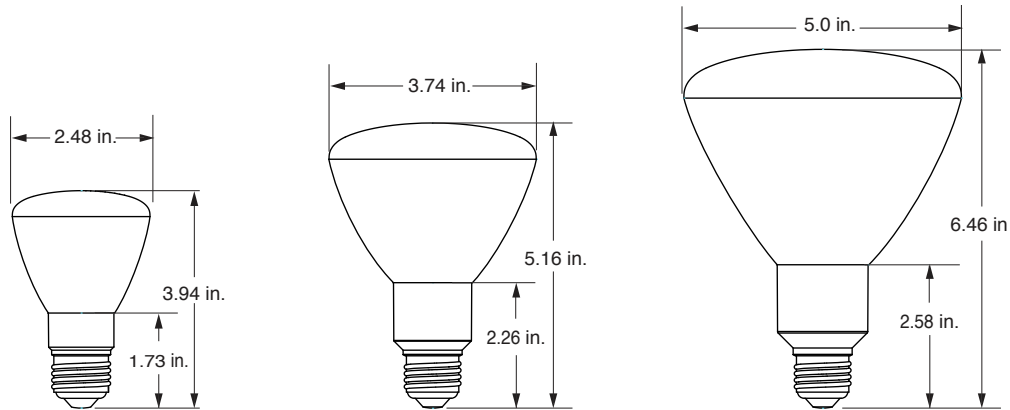


Scan with a smartphone to view this product online.

© 2013 USHIO America, Inc. All rights reserved.

UPHORIA™ LED REFLECTOR

E26 Base
Case Qty: 12



Watts (W)	Ushio Ordering Code	Ushio Lamp Description	Bulb Type	Volts (V)	Color Temp (K)	Beam Angle	Lumens* (lm)	Max CP* (cd)	CRI	Avg** Life (h)
8	1003854	UPHORIA 8W LED R20, WW	R20	120	3000	106	520	145	82	25000
11	1003855	UPHORIA 11W LED R30, WW	R30	120	3000	108	750	250	82	25000
13	1003857	UPHORIA 13W LED R40, WW	R40	120	3000	105	880	300	82	25000
18	1003856	UPHORIA 18W LED R40, WW	R40	120	3000	105	1230	410	82	25000

* Photometric data is based on LM-79 tests.

** Average life based on 70% lumen maintenance. LM-80 data available.

Electrical Specifications:

Driver: High Efficiency

Power Factor: 8W-13W = .70 / 18W = .90

Dimming: See www.ushio.com for dimmer compatibility options

Cautions:

The lamp may not be compatible with all dimmers. Check www.ushio.com to find up to date dimmer compatibility options. Use only 120V 60Hz circuits. Do not open. No user serviceable parts inside. Use is not recommended where exposed to weather, outdoor usage requires an enclosed fixture. The device is not intended for use with emergency exit fixtures, emergency exit lights, photo controls, electric timers. Fully enclosed or recessed fixtures must contain proper ventilation. Reliable Operating temperature is -4° F to 113° F. This device complies with Part 15 of the FCC Rules. Operation is subject to the following two conditions: (1) this device may not cause harmful interference, and (2) this device must accept any interference received, including interference that may cause undesired operation.

Qualifications:



UPHORIA™ LED REFLECTOR

Photometrics & Spectral Distribution

ø(ft)	H(ft)	E(fc)
8.7	3.3	16.66
17.5	6.6	4.16
26.2	9.8	1.85
35.0	13.1	1.04
43.7	16.4	.666
113°		8W
UPHORIA LED/R20/WW		

ITEM 1003854

ø(ft)	H(ft)	E(fc)
8.8	3.3	27.09
17.6	6.6	6.77
26.5	9.8	3.01
35.3	13.1	1.69
44.1	16.4	1.08
108°		11W
UPHORIA LED/R30/WW		

ITEM 1003855

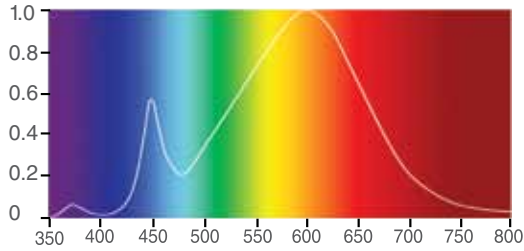
ø(ft)	H(ft)	E(fc)
8.8	3.3	28.19
17.6	6.6	7.05
26.3	9.8	3.13
35.1	13.1	1.76
43.9	16.4	1.12
105°		13W
UPHORIA LED/R40/WW		

ITEM 1003857

ø(ft)	H(ft)	E(fc)
8.6	3.3	41.04
17.3	6.6	10.26
26.0	9.8	4.56
34.6	13.1	2.57
43.3	16.4	1.64
105°		18W
UPHORIA LED/R40/WW		

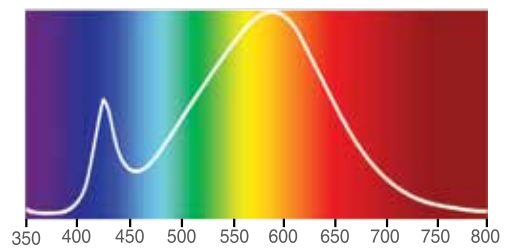
ITEM 1003856

Spectral Chart



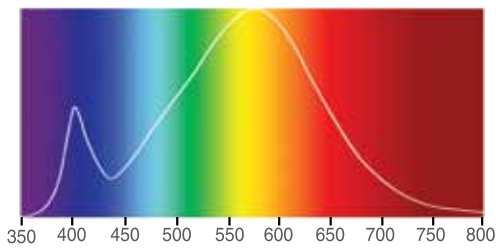
item# 1003854 UPHORIA 8W LED R20, WW

Spectral Chart



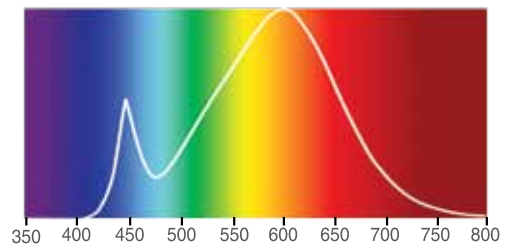
item# 1003855 UPHORIA 11W LED R30, WW

Spectral Chart



item #1003857 UPHORIA 13W LED R40, WW

Spectral Chart



item# 1003856 UPHORIA 18W LED R40, WW

UPHORIA™ LED REFLECTOR

Lighting Facts

item# 1003854
Uphoria LED/R20/WW

Lighting Facts/ Faits d'éclairage	
Per Bulb/Par l'ampoule	
Brightness/Luminosité	520 lumens
Estimated Yearly Energy Cost/ Coût énergétique annual estimé	\$0.96
Based on 3 hrs/day, 11¢/kWh. Cost depends on rates and use. /Basé sur 3 heures/jour, 11¢/kWh. Les coûts dépendent du tarif et de la fréquence d'utilisation.	
Life/Vie	23 years/ans
Based on 3 hrs/day. /Basé sur 3 heures/jour.	
Light Appearance/Apparence de l'éclairage	
Energy Used/Énergie utilisée	8 watts

item# 1003855
Uphoria LED/R30/WW

Lighting Facts/ Faits d'éclairage	
Per Bulb/Par l'ampoule	
Brightness/Luminosité	750 lumens
Estimated Yearly Energy Cost/ Coût énergétique annual estimé	\$1.32
Based on 3 hrs/day, 11¢/kWh. Cost depends on rates and use. /Basé sur 3 heures/jour, 11¢/kWh. Les coûts dépendent du tarif et de la fréquence d'utilisation.	
Life/Vie	23 years/ans
Based on 3 hrs/day. /Basé sur 3 heures/jour.	
Light Appearance/Apparence de l'éclairage	
Energy Used/Énergie utilisée	11 watts

item# 1003857
Uphoria LED/R40/WW

Lighting Facts/ Faits d'éclairage	
Per Bulb/Par l'ampoule	
Brightness/Luminosité	880 lumens
Estimated Yearly Energy Cost/ Coût énergétique annual estimé	\$1.57
Based on 3 hrs/day, 11¢/kWh. Cost depends on rates and use. /Basé sur 3 heures/jour, 11¢/kWh. Les coûts dépendent du tarif et de la fréquence d'utilisation.	
Life/Vie	23 years/ans
Based on 3 hrs/day. /Basé sur 3 heures/jour.	
Light Appearance/Apparence de l'éclairage	
Energy Used/Énergie utilisée	13 watts

item# 1003856
Uphoria LED/R40/WW

Lighting Facts/ Faits d'éclairage	
Per Bulb/Par l'ampoule	
Brightness/Luminosité	1230 lumens
Estimated Yearly Energy Cost/ Coût énergétique annual estimé	\$2.17
Based on 3 hrs/day, 11¢/kWh. Cost depends on rates and use. /Basé sur 3 heures/jour, 11¢/kWh. Les coûts dépendent du tarif et de la fréquence d'utilisation.	
Life/Vie	23 years/ans
Based on 3 hrs/day. /Basé sur 3 heures/jour.	
Light Appearance/Apparence de l'éclairage	
Energy Used/Énergie utilisée	18 watts