

Fitzgerald™ – Wall Mount Instructions (Optional)

Optional – Mounting Fan On Wall Over a Wall Outlet

1. Remove & discard the Rubber feet and Cord Retainer from the base. (Figure 1)

2. Mount Retaining Bracket with two screws provided. (Figure 2)

3. Mount the Wall Mount Bracket over the outlet with proper wall mounting hardware (not supplied). (Figure 3)

4. Cut the power cord to a length of 6" (measured from end of plug). Remove the base cover plate and re-attach the cord to the wiring block in the fan base (Figures 4, 5)

NOTE: The power cord has to be the shortest length so that the plug & cord will fit inside the 'pocket' in the bottom of the base of the fan.

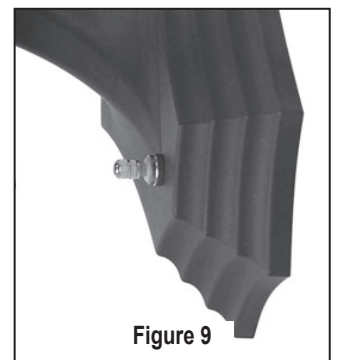
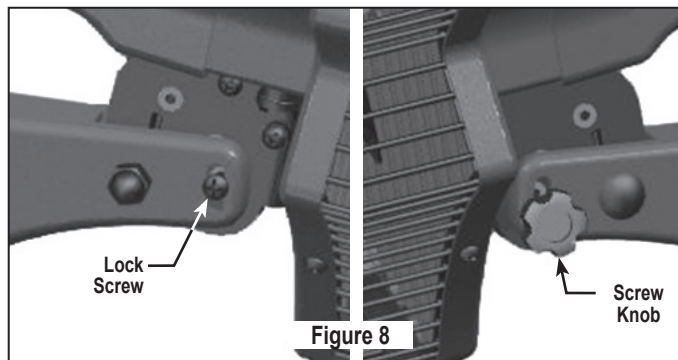
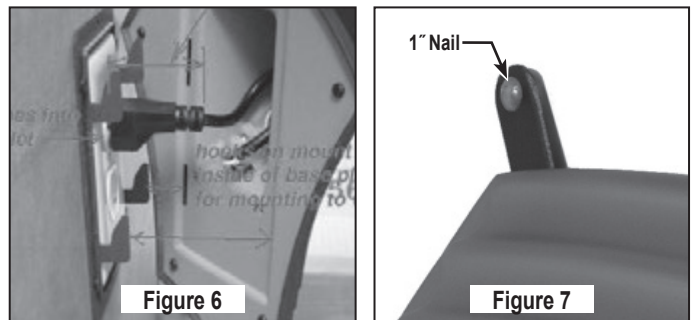
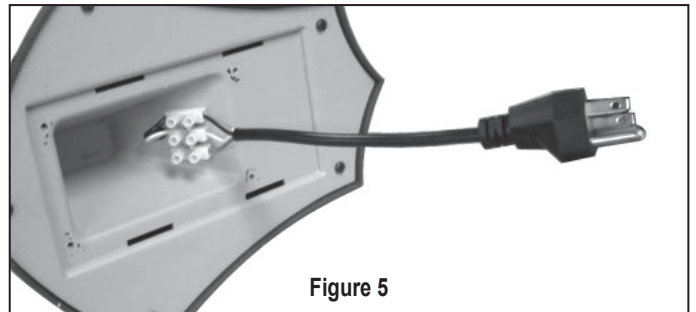
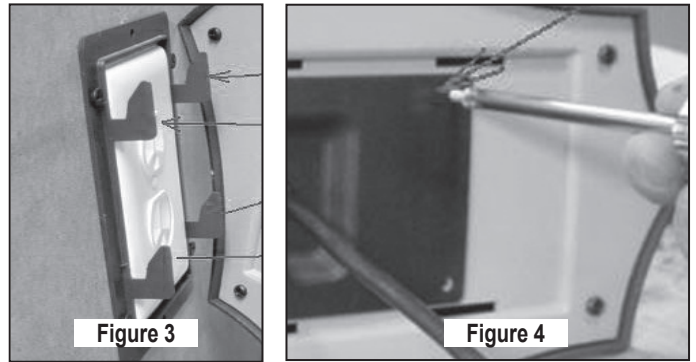
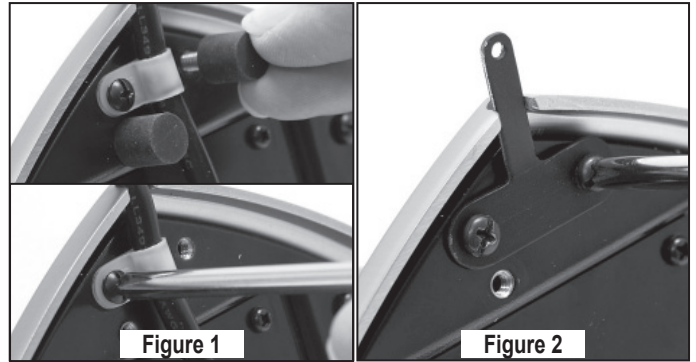
5. Plug cord directly into the top socket. (Figure 6)

6. Hang the fan by inserting the four hooks through the holes in the bottom of the base and sliding the fan down until it is pulled tight against the wall. (Figure 6)

7. Secure the assembled Retaining Bracket / base with the 1 inch nail provided. (Figure 7)

8. Remove Lock Screw and Screw Knob before rotating the fan head back to a desired head angle. Attach both screws into threaded holes in fan head mount. Don't over-tighten. (Figure 8)

9. Select the desired airflow, located on fan base by rotating switch clockwise. (Figure 9)



10983 Bennett Parkway
Zionsville, IN 46077
(888) 567-2055
FAX (866) 482-5215
Visit Our Website @
www.fanimation.com

Copyright 2007 Fanimation
2007/03