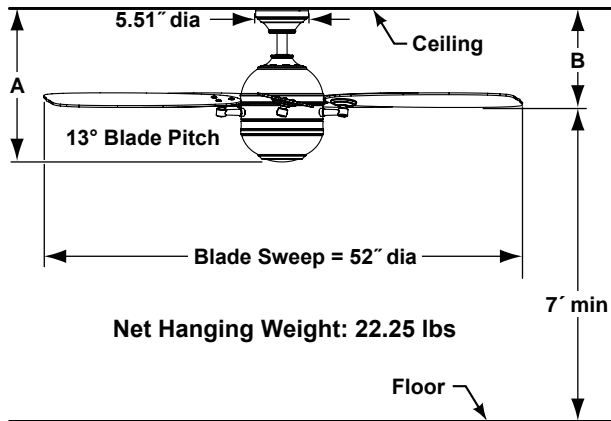




**AKIRA™**  
**FP8000\*\***  
**Ceiling Fan**



	A	B
Fan w/4.5" downrod	17.00"	10.43"
Fan w/12" downrod	24.50"	17.93"
Fan w/18" downrod	30.50"	23.93"
Fan w/24" downrod	36.50"	29.93"
Fan w/36" downrod	48.50"	41.93"
Fan w/48" downrod	60.50"	53.93"
Fan w/60" downrod	72.50"	65.93"
Fan w/72" downrod	84.50"	77.93"

**INSTALLATION REQUIREMENTS:**

Ceiling fan attaches to electrical junction box securely anchored and capable of withstanding a load of at least 50 lbs.

**ELECTRICAL REQUIREMENTS:**

Ceiling fan requires a grounded electrical supply line of 120 volts AC, 60 Hz, 15 amp circuit.

**MOTOR SPECS:**

172 x 20 motor is designed for optimal performance with this fan. 220 VAC, 50 Hz export version available.

**BLADE SETS:**

A set of 5 reversible 21.3" wood blades is included. Mahogany/Walnut included with Oil-Rubbed Bronze fan and Cherry/Walnut included with Polished Nickel and Pewter fans.

**CONTROL OPTIONS:**

TR24WH hand-held remote control with wall mount is included. Push button remote control has 3 fan speeds, infinite light levels and off button. Optional CWRL4 wall control, CRL4WH and CRL8TS hand-held remote control are available—sold separately. Instructions are provided with each control.

**LIGHTING OPTIONS:**

One bulb (100-watt halogen minican bulb -included) downlight fixture is included with this fan assembly. Maximum downlight wattage not to exceed 100 watts.

**DOWNROD OPTIONS:**

The Akira™ fan comes with a 1" Dia. x 4.5" downrod. Optional downrods are available in 12", 18", 24", 36", 48", 60", and 72". For installations requiring a longer downrod, a downrod coupler is available. The Akira™ fan can be mounted on a sloped ceiling up to 30°. Most sloped ceiling installations require a downrod longer than the standard 4.5" downrod. Optional close-to-ceiling kit is available as well—sold separately. Call your local dealer for more information.

**LOCATION USE:**

Fan is rated for dry locations only.

Available Finishes	
OB	Oil-Rubbed Bronze with Opal Frosted Glass
PN	Polished Nickel with Opal Frosted Glass
PW	Pewter with Opal Frosted Glass

Airflow / Energy Efficiency Info (120V)					
Fan Speed	Max RPM	CFM	CFM / Watts	Amps	Watts
High	163	5231	84	0.51	62
Med	106	3417	118	0.42	29
Low	65	1997	154	0.30	13