

SORAA® VIVID LED MR16 3000K 12V



Narrow Flood and Flood



RoHS



Soraa's VIVID LED MR16 is the leader in next-generation high CRI LED lamps. The VIVID lamp's unprecedented perfect spectrum light, CRI of 95, R9 of 95, rich saturated color rendering, bright white rendering, and excellent color stability makes it the only choice for demanding display applications. Powered by Soraa's GaN on GaN™ technology, VIVID lamps match or exceed halogen MR16 performance, in color, output, energy efficiency, and ROI. VIVID lamps are revolutionizing lighting design, and with their unique single source optics deliver the best color and white rendering, beam definition, and crisp shadows available in directional light sources

PERFORMANCE

CBCP matches standard halogen lamps
Single light source
Single crisp shadow
Dimmable to 20%
Power Factor: 0.93
12V (10.8 min, 13.2 max)

COLOR

CCT: 3000K
CRI>95, R9 95
White point accuracy within 3 SDCM
Rich saturated color rendering
Excellent color stability

OPTIMIZED FORM

ANSI standard MR16 form factor:
1.96" (50mm) W x 1.86" (47.4mm) H
Compatible with standard fixtures
Weight: 40g
Proprietary fanless aluminum design provides superior thermal dissipation

HIGHLY COMPATIBLE

Works with magnetic and electronic transformers and dimmers (see complete list at www.soraa.com)
Rated for use in damp locations
Lightweight, comparable to typical halogen lamps

LONG LIFE, LOW MAINTENANCE

Life of 35,000 hours. Three year warranty

ENERGY EFFICIENT

75% more energy efficient than standard halogen lamps
Typical payback of one year or less

INTENDED USE AND APPLICATIONS

LED retrofit lamp to replace 12V halogen MR16 lamps for use in outdoor sealed or non-ventilated, indoor sealed or non-ventilated, or applications with glass lenses. Suitable for enclosed fixtures.
North America: This product can be incorporated into emergency lighting fixtures qualified to UL 924.

Outside of North America: This product can be incorporated into emergency lighting fixtures qualified to IEC/EN 60598-2-22.

Operating Temperature: Minimum -40°C (ambient); Typical: 80-110°C (base); Maximum: 120°C (base)

Soraa lamps are designed to safely shut down in any thermal environment not conducive to minimum airflow or proper ventilation

CERTIFICATIONS

UL, CUL for 12V NEC Class 1 and Class 2 systems, FCC 47 CFR Part 15 and Part 18 (EMI), RoHS, CE, C-tick

12V



3000K

CRI >95

R9 >95



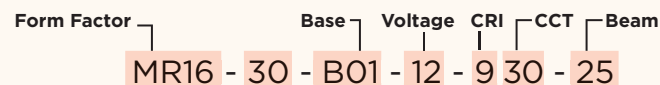
DIM



Reference Number	Product Code	Beam	Field	CBCP	Watts	Halogen Equivalent	Lumens
MR16-36-B01-12-930-25	00093	25°	42°	1900	8.0	35W	340(42 lm/W)
MR16-36-B01-12-930-36	00117	36°	60°	1075	8.0	35W	340(42 lm/W)

*at stable warm operating conditions (25°C ambient)

Soraa Inc.
6500 Kaiser Drive,
Fremont, CA 94555
855 GO-SORAA
855 467-6722
www.soraa.com

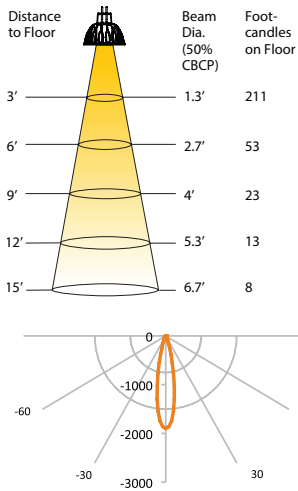


The diagram at left shows how to read the different components of the reference number. Base type B01 refers to the GU 5.3 base.

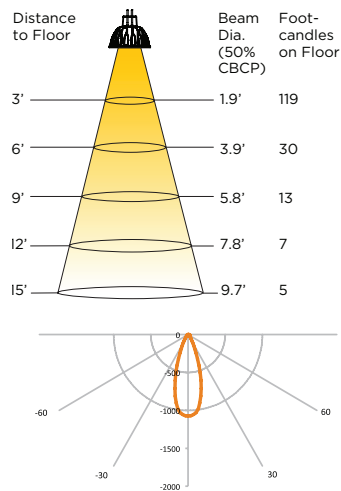
SORAA VIVID 9.5 LED MR16 3000K 12V

PHOTOMETRICS

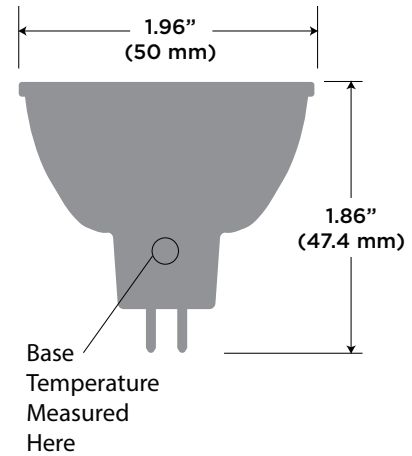
Narrow Flood - 25°



Flood - 36° Degree

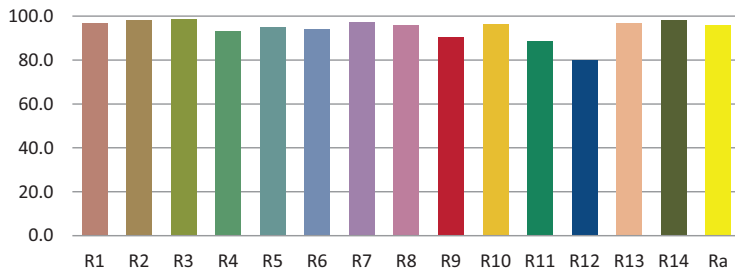


DIMENSIONS

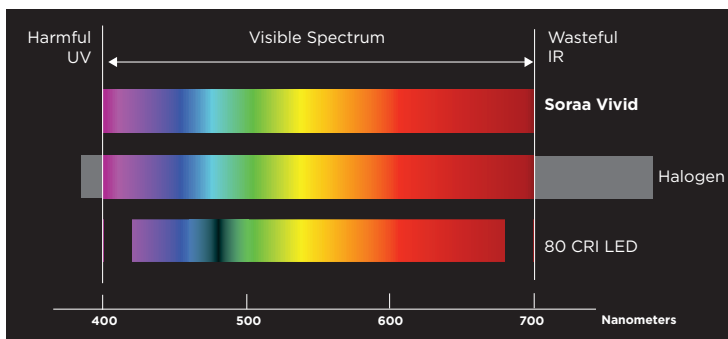


COLOR RENDERING

CRI- Relative R Values



Comparative Spectra



SAFETY NOTE ON HEAT

Soraa's unique LED technology allows its lamps to operate effectively and efficiently at higher temperatures than other LED lamps, resulting in more light output per diode. Although Soraa's lamps operate at cooler temperatures than halogen lamps, it is recommended that gloves be worn when handling bare lamps that have been energized.

TRANSFORMER/DIMMER COMPATIBILITY

Dimmable to 20% or lower, depending on dimmer. Complete transformer and dimmer compatibility information at www.soraa.com.