



PAR38 LED with AirFlux Technology

18PAR38/END/4000/F25 DIM 6/1

Philips PAR38 Dimmable LED Lamps with AirFlux Technology provide optimal thermal efficiency in a sleek, lightweight design.

Product data

• General Characteristics

Cap-Base	E26
Bulb	PAR38 [PAR38 mm]
Rated Avg. Life (Hours)	45000 hr
Rated Lifetime (years)	41.4 an

• Light Technical Characteristics

Color Code	CW
Color Designation	Cool White
Beam Angle	25 D
Beam Description	25D [Medium beam]
Correlated Color Temperature	4000 K
Approx. MBCP	4100 cd
CRI	80
Color Temp. (Kelvin)	4000 K [CCT 4000K]
Rated Luminous Flux	950 Lm

• Electrical Characteristics

Wattage	18 W
Wattage Technical	18 W
Voltage	120 V
Power Factor	0.73 -

Lamp Current mA	204 mA
Dimmable	Yes
Wattage Equivalent	90 W

• Measuring Conditions

Switching cycle	20000x
-----------------	--------

• Product Dimensions

Overall Length C	128.65 mm
Overall Length C [inch]	5.065 (max) in
Diameter D	121.3 mm

• Product Data

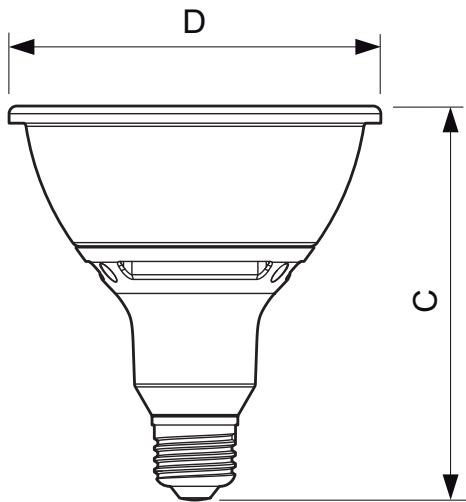
Product number	425439
Full product name	18PAR38/END/4000/F25 DIM 6/1
Short product name	18PAR38/END/4000/F25 DIM 6/1
Pieces per Sku	1
eop_pck_cfg	6
Skus/Case	6
Bar code on pack	46677425432
Bar code on case	50046677425437
Logistics code(s)	929000231004
eop_net_weight_pp	0.370 kg

Dimensional drawing



PHILIPS
sense and simplicity

Dimensional drawing



E26

18PAR38/END/4000/F25 DIM 6/1

Product	C (Norm)	C1 (Max)	D (Norm)	D1 (Norm)
LED 18W E26 4000K 120V PAR38 25D DIM	128.65	5.065	121.3	4.776



© 2013 Koninklijke Philips Electronics N.V.
All rights reserved.

Specifications are subject to change without notice. Trademarks are the property of Koninklijke Philips Electronics N.V. or their respective owners.

www.philips.com/lighting

2013, January 18
data subject to change