

MLSWP30LED50

LED WALLMAX - 30 SERIES SMALL WALL PACK



FEATURES:

- Replaces up to 150 Watt Metal Halide
- Universal 120-277V
- Maintenance free for up to 13 Years
- Mercury free; no UV
- Heavy-duty cast aluminum housing; rust and corrosion proof; polyester powdercoat
- High quality shatterproof glass.
- Sealed fixture is dirt and bug free
- Multiple knockouts for mounting convenience
- Occupancy/Dusk to Dawn sensor compatible
- LM-79/80 data available
- 5 Year Limited Warranty
- Does not attract insects

CONSTRUCTION:

Fixture: Heavy-duty cast aluminum one-piece housing; polyester powdercoat; rust and corrosion proof. Fixture is sealed to be dirt and bug proof.

Lens: High quality shatterproof glass.

LED Module: Aluminum components in the LED module act as heat sinks to reduce heat and add to life. The module uses directional settings to control the fall of light and the light levels. This makes the fixture an efficient replacement for metal halide and high pressure sodium fixtures, while reducing wattage and extending life.

LED Driver: Self contained driver meets UL 1310 UL 48 Class2.

Finish: Dark Bronze or white finish available; polyester powdercoated.

Installation: Can mount to recessed outlet box or direct to surface.

Luminaire Ordering Information:

WATTS	ORDER CODE	MODEL NUMBER	DELIVERED LUMENS	LAMP LIFE (Hrs)	DIMENSIONS (L"xW"xH")	K
33	70724	MLSWP30LED50	1640	50,000	14.25 x 9.0 x 7.5	5000
33	71127	MLSWP30LED50W	1640	50,000	14.25 x 9.0 x 7.5	5000

Lighting layouts and spacing criteria available upon request

PROJECT NAME
CATALOG NUMBER
NOTES
FIXTURE TYPE



SPECIFICATIONS:

Item	Specification	Details
General Performance	Spacing Criteria	Available upon request
	Color Temperature	5000K
	Lumens Delivered	1640
	Efficacy	50 lumen/watt
	Color Consistency	Proprietary binning for uniform color
	Lumen Maintenance (L70)	50,000 hours
Electrical	Power Factor	Over 98%
	Input Voltage	120V-277V 50/60 Hz
	Power Consumption	33 Watts
Physical	Dimensions	14.25" x 9.0" x 7.5"
	Weight	6.15 lbs
	Housing	Aluminum
	Lens	High quality shatterproof glass
	Mounting	Can mount to recessed outlet box or direct to surface.
	Operating Temperature	-30°F to 130°F
	Humidity	20% - 85% RH, non condensing
Certification	Certification	CETL, FCC, LM79, LM80
	Material Usage	RoHS compliant; no mercury
	Environment	Indoor / Outdoor
	LED Class	L70 rated to 50,000 hours

MaxLite

lighting facts^{CM}

A Program of the U.S. DOE

Light Output (Lumens)	1640
Watts	33
Lumens per Watt (Efficacy)	50

Color Accuracy
Color Rendering Index (CRI) **68**

Light Color
Correlated Color Temperature (CCT) **5200 (Daylight)**

2700K 3000K 4500K 6500K

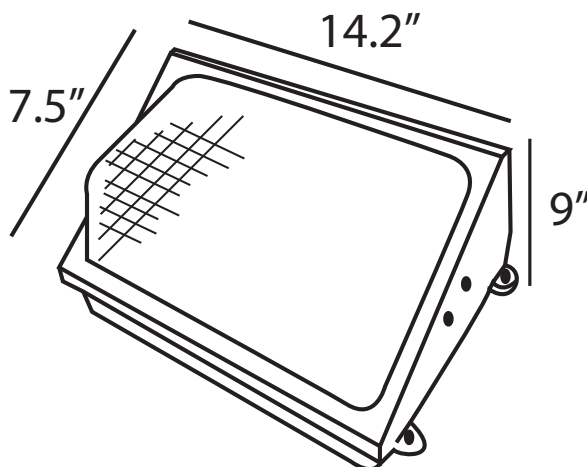
All results are according to IESNA LM-79-2008: *Approved Method for the Electrical and Photometric Testing of Solid-State Lighting*. The U.S. Department of Energy (DOE) verifies product test data and results.

Visit www.lightingfacts.com for the **Label Reference Guide**.

Registration Number: WJP2-GA8KDP
Model Number: MLSWP30LED50
Type: Outdoor wall pack

Lighting layouts and spacing criteria available upon request

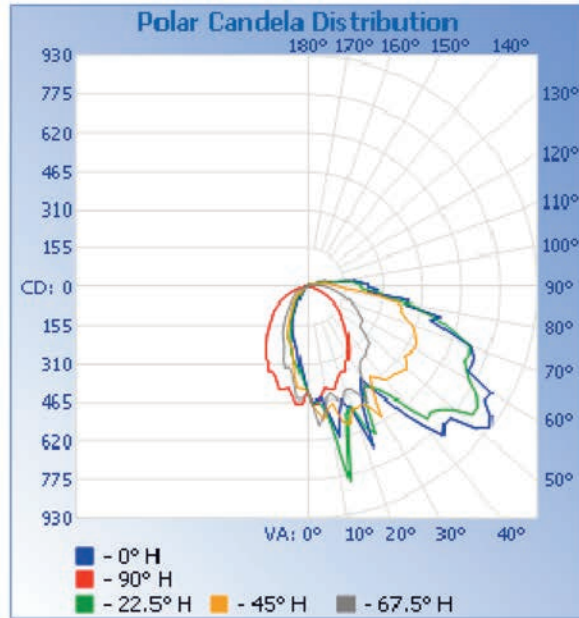
DIMENSIONS:



PHOTOMETRICS:

Intensity (Candlepower) Summary at 25°C - Candelas

Angle	0	22.5	45	67.5	90
MLSWP30LED50					
0	423	423	423	423	423
5	456	463	505	560	471
10	523	554	493	456	414
15	514	631	558	466	429
20	532	507	520	448	379
25	526	651	517	478	372
30	426	462	601	448	330
35	549	510	440	368	289
40	726	637	488	360	252
45	780	708	498	345	214
50	884	766	516	306	183
55	903	839	479	260	158
60	858	754	498	252	125
65	733	699	481	223	90
70	700	696	450	188	61
75	516	569	390	160	38
80	403	431	373	126	22
85	244	302	211	101	12
90	246	215	134	80	8
95	212	194	103	55	9
100	110	133	89	35	10
105	80	74	66	25	10
110	65	59	41	20	9
115	24	30	32	15	9
120	18	20	22	12	8
125	16	17	17	10	6
130	14	16	15	8	5
135	14	14	12	6	3
140	13	12	10	5	2
145	11	10	8	3	1
150	8	8	5	2	1
155	6	5	1	0	0
160	2	0	0	0	0



Lighting layouts and spacing criteria available upon request