

# C218UNVxxx

## APPLICATION and PERFORMANCE SPECIFICATION

**Description:** Electronic compact fluorescent ballast(s) for (2/1) CFQ18W/G24q or (2/1) CFM18W/GX24q or (2/1) CFS21W/GR10q (2D) 4 pin lamps

- Line Voltage: 120vac or 277vac,  $\pm 10\%$ , 50-60Hz
- High Power Factor
- Programmed Rapid Start
- Series Lamp Connection

Model	Line Volts	Lamp		Input Watts	Nominal Line Amps	Ballast Factor	Power Factor	THD	Crest Factor
		Type	#						
C218UNV	120	CFQ18W	2	35	0.30	.95	> .98	< 10%	<1.5
	277	CFQ18W	2	35	0.13	.95	> .98	< 10%	<1.5
C218UNV	120	CFQ18W	1	19	0.16	1.00	> .98	< 10%	<1.5
	277	CFQ18W	1	19	0.07	1.00	> .95	< 15%	<1.5
C218UNV	120	CFM18W	2	38	0.32	1.05	> .95	< 15%	<1.5
	277	CFM18W	2	38	0.14	1.05	> .95	< 15%	<1.5
C218UNV	120	CFM18W	1	20	0.17	1.05	> .95	< 15%	<1.5
	277	CFM18W	1	20	0.07	1.05	> .95	< 15%	<1.5
C218UNV	120	CFS21W	2/1	43/24	.37/.18	.95/.98	> .98	< 10%	<1.7
	277	CFS21W	2/1	43/24	.16/.08	.95/.98	> .95	< 15%	<1.7

Application and Performance Specification Information Subject to Change without Notification

### Performance:

- Meets ANSI Standard C82.11
- Meets FCC Part 18 (Non-Consumer), Limits for EMI/RFI
- Operating Frequency Range: 50-60 kHz
- **Auto-Reset Shutdown Circuit** per NEMA Recommendations
  - Both lamps should be replaced at end of life
  - Lamp relights upon insertion in socket
- Suitable for use in air handling spaces when NEC wiring guidelines are followed
- ME version: Input Terminals L N G intended for one supply connection only

### Safety:

- No PCB's
- UL listed (Class P)
  - Type 1 Outdoor, Type CC, Type HL
- CSA Certified

### Application:

- Minimum Starting Temperature: 0° F, -18° C
- Maximum Case Temperature (@  $t_c$ ): 167° F, 75° C
- Sound Rated: A
- Lead configuration:
  - xxx = SE - Side Exit
  - or BE - Bottom Exit
  - or BES - Bottom Exit with Studs (2" on center)
  - or ME - Multi-Exit Replacement Kit for Distribution
- Remote Mounting 20 feet
- 18W applications also operate on 125VDC input (+)L (-)N

### Physical Parameters

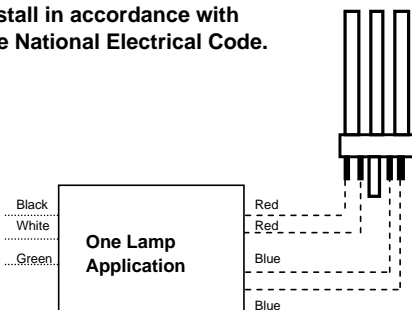
- Overall Length: 4.94"
- Width: 2.31"
- Mounting: 4.61"
- Height: 1.00"
- Weight: 0.57 lbs
- Qty/Carton: 20
- Color: SE-White  
BE/BES-Black  
ME-White
- Can Material: Metal

### Warranty:

Universal Lighting Technologies warrants to the purchaser that each electronic ballast will be free from defects in material or workmanship for a period of 5 years from date of manufacture when properly installed and under normal conditions of use. Call **1-800-BALLASTx800** for technical assistance.

### Manufactured in North America

Install in accordance with the National Electrical Code.



Ballast has plug in wire trap connectors. Use 18 AWG solid copper wire, stripped to 3/8". Ballast Must be Grounded. Use External Ground Wire.

