

Plusrite®

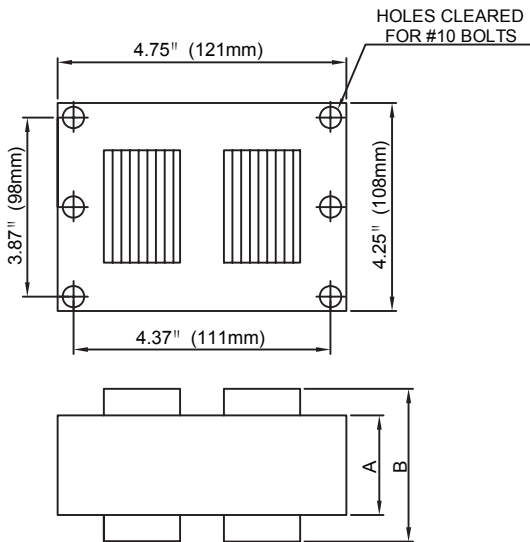
CATALOG NUMBER: BAMH250-CWA/V4

250W M58

Metal Halide Lamp Ballast

60 Hz CWA

4X4 CORE.WMF

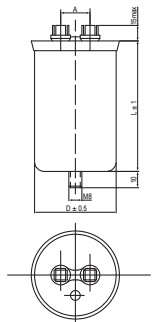


Input Volts		120	208	240	277
Circuit Type	CWA				
REGULATION					
Line Volts	±10%				
Lamp Watts	±8%				
LINE CURRENT(Amps)					
Operating		2.60	1.50	1.30	1.15
Open Circuit		2.50	1.45	1.30	1.10
Starting		1.85	1.10	0.90	0.80
RECOMMENDED FUSE (Amps)					
		7	4	4	3
TEMPERATURE RATINGS					
Insulation Class	180 (H)				
Coil Temperature Code	A				
Benchtop Coil Rise		69.9	74.1	73.0	72.7
Power Factor (Min)	90%				
Input Watts	290 W				
Efficiency					
NOM. OPEN CIRCUIT VOLTAGE	305				
INPUT VOLTAGE AT LAMP DROPOUT		45	70	85	95
MIN AMBIENT STARTING TEMP	-20°F/-30°C				
60 HZ TEST PROCEDURES					
High Potential Test (Volts)					
1 Minute	1,650 V				
1 Second	2,000 V				
Open Circuit Voltage Test (V)	275 - 340				
Short Circuit Current Test (A)					
Secondary Current	Min	2.20			
	Max	2.70			
Input Current	Min	1.30	0.80	0.70	0.60
	Max	2.05	1.25	1.05	0.95
CORE and COIL Specifications					
Dimension A (in)	1.46				
Dimension B (in)	3.30				
Weight (lbs)	8.3				
Lead Lengths (in)	12				
CAPACITOR REQUIREMENT					
Microfarads	15.0 uf				
Volts (Min)	400 V				

Capacitor:

- Microfarads: 15.0 uf
- Volts (Max): 400 V
- Case Temp(Max): 100°C
- D: 1.65 in
- L: 2.95 in
- A: 0.63 in

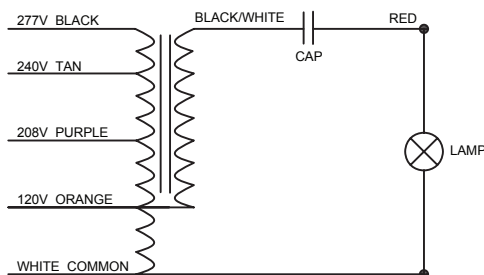
Ignitor: None



Oil-Filled Capacitor

No Ignitor Needed

Wiring Diagram:



ORDERING INFORMATION

The ballast is prewired and comes with a kit including capacitor and bracket.

Data is based upon tests performed by Plusrite in a controlled environment and is representative of relative performance. Actual performance can vary depending on operating conditions. Specifications are subject to change without notice.

Coil material: Cu/Al