

Plusrite®

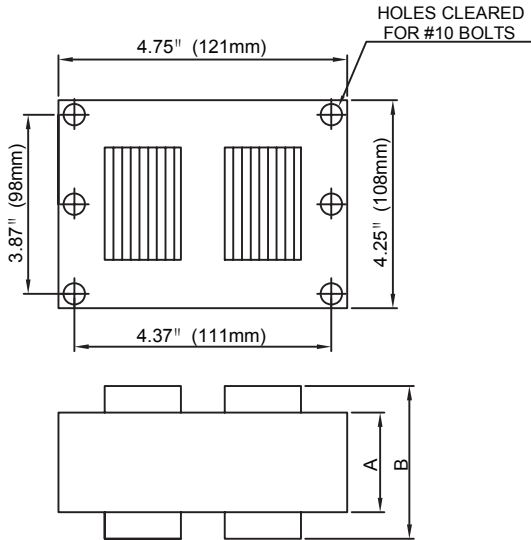
CATALOG NUMBER: BAPS320-CWA/V4

320W M132 / M154

Pulse Start Metal Halide Lamp Ballast

60 Hz CWA

4X4 CORE - HX, CWA CWI UNITS



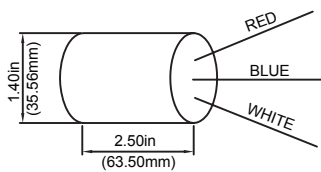
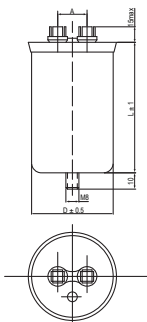
Input Volts		120	208	240	277
Circuit Type	CWA				
REGULATION					
Line Volts	±10%				
Lamp Watts	±9%				
LINE CURRENT(Amps)					
Operating		3.10	1.80	1.55	1.35
Open Circuit		1.60	0.95	0.80	0.75
Starting		2.60	1.50	1.35	1.15
RECOMMENDED FUSE (Amps)					
		8	5	4	4
TEMPERATURE RATINGS					
Insulation Class	180 (H)				
Coil Temperature Code		B	B	B	C
Benchtop Coil Rise		75.8	78.8	78.4	80.0
Power Factor (Min)	90%				
Input Watts	364 W				
Efficiency	88%				
NOM. OPEN CIRCUIT VOLTAGE	280				
INPUT VOLTAGE AT LAMP DROPOUT		70	120	140	155
MIN AMBIENT STARTING TEMP	-20°F/-30°C				

Capacitor:

Microfarads: 22.0 uf
 Volts (Max): 400 V
 Case Temp(Max): 100°C
 D: 1.77 in
 L: 3.54 in
 A: 0.71 in

Ignitor:

Case Temp (Max): 105 °C
 BTL Distance (Max): 2 ft



60 HZ TEST PROCEDURES

High Potential Test (Volts)					
1 Minute		1,600 V			
1 Second		1,900 V			
Open Circuit Voltage Test (V)		250 - 305			
Short Circuit Current Test (A)					
Secondary Current	Min	3.05			
	Max	3.70			
Input Current	Min		2.00	1.20	1.00
	Max		3.05	1.75	1.50
				1.00	0.90

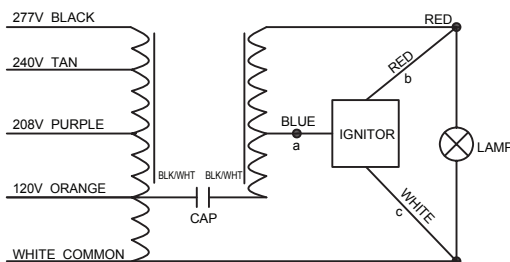
CORE and COIL Specifications

Dimension A (in)	2.00
Dimension B (in)	4.15
Weight (lbs)	10.0
Lead Lengths (in)	12

CAPACITOR REQUIREMENT

Microfarads	22.0uf
Volts (Min)	330 V

Wiring Diagram:



ORDERING INFORMATION

The ballast is prewired comes with a kit including capacitor, ignitor and bracket.

Data is based upon tests performed by Plusrite in a controlled environment and is representative of relative performance. Actual performance can vary depending on operating conditions. Specifications are subject to change without notice.

Coil material: Cu/Al