

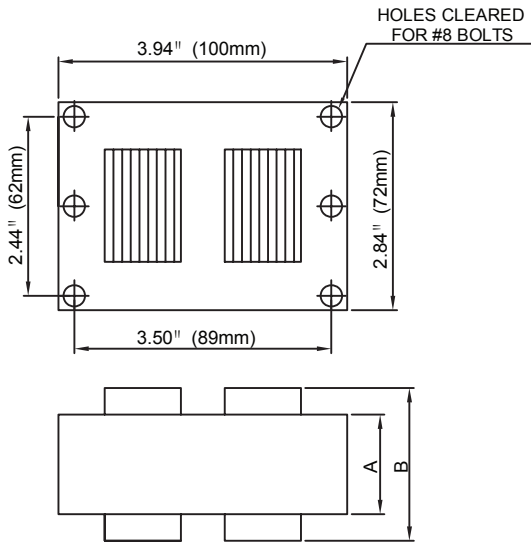
Plusrite®

CATALOG NUMBER: BAPS50-HX/V4

50W M110

**Pulse Start Metal Halide Lamp Ballast
60 Hz HX-HPF**

3X4 CORE.WMF



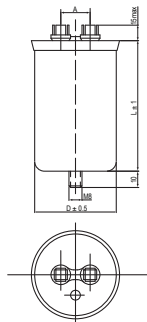
Input Volts		120	208	240	277
Circuit Type	HX-HPF				
REGULATION					
Line Volts	±5%				
Lamp Watts	±10%				
LINE CURRENT(Amps)					
Operating		0.60	0.35	0.30	0.25
Open Circuit		1.20	0.65	0.60	0.50
Starting		0.60	0.35	0.30	0.25
RECOMMENDED FUSE (Amps)					
		3	2	2	2
TEMPERATURE RATINGS					
Insulation Class	180 (H)				
Coil Temperature Code	A				
Benchtop Coil Rise		66.6	64.7	64.3	70.7
Power Factor (Min)	90%				
Input Watts	68 W				
Efficiency					
NOM. OPEN CIRCUIT VOLTAGE	265				
INPUT VOLTAGE AT LAMP DROPOUT		85	150	170	195
MIN AMBIENT STARTING TEMP	-20°F/-30°C				

Capacitor:

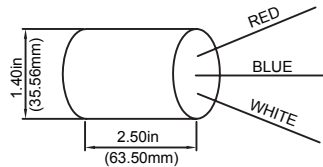
Microfarads: 6.0 uf
Volts (Max): 330 V
Case Temp(Max): 100°C
D: 1.65 in
L: 2.56 in
A: 0.63 in

Ignitor:

Case Temp(Max): 105°C
BTL Distance(Max): 2 ft



Oil-Filled Capacitor



60 HZ TEST PROCEDURES

High Potential Test (Volts)					
1 Minute		2,000 V			
1 Second		2,500 V			
Open Circuit Voltage Test (V)		235 - 295			
Short Circuit Current Test (A)					
Secondary Current	Min	.65			
	Max	.85			
Input Current	Min		0.40	0.20	0.15
	Max		0.75	0.40	0.35

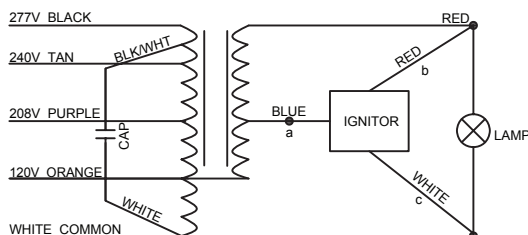
CORE and COIL Specifications

Dimension A (in)	1.05
Dimension B (in)	2.45
Weight (lbs)	3.5
Lead Lengths (in)	12

CAPACITOR REQUIREMENT

Microfarads	6.0 uf
Volts (Min)	280 V

Wiring Diagram:



ORDERING INFORMATION

The ballast is prewired comes with a kit including capacitor, ignitor and bracket.

Data is based upon tests performed by Plusrite in a controlled environment and is representative of relative performance. Actual performance can vary depending on operating conditions. Specifications are subject to change without notice.

Coil material: Cu/Al