

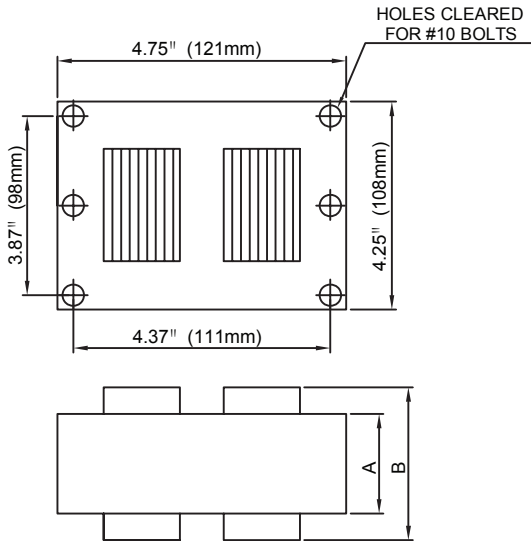


**CATALOG NUMBER: BALU400-CWA/V4**

**400W S51**

**High Pressure Sodium Lamp Ballast  
60 Hz CWA**

**4X4 CORE- HX, CWA & CWI UNITS**



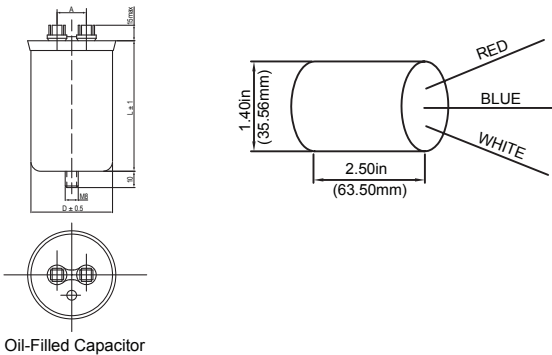
Input Volts		120	208	240	277
Circuit Type	CWA				
<b>REGULATION</b>					
Line Volts	±10%				
Lamp Watts	±13%				
<b>LINE CURRENT( Amps )</b>					
Operating		3.80	2.20	1.90	1.70
Open Circuit		1.50	0.85	0.75	0.65
Starting		3.70	2.15	1.85	1.60
<b>RECOMMENDED FUSE (Amps)</b>					
		10	7	6	5
<b>TEMPERATURE RATINGS</b>					
Insulation Class	H				
Coil Temperature Code		C	C	D	C
Benchtop Coil Rise		83.8	84.2	85.9	82.3
Power Factor (Min)	90%				
Input Watts	460 W				
Current Crest Factor	1.60				
<b>NOM. OPEN CIRCUIT VOLTAGE</b>					
	195				
<b>INPUT VOLTAGE AT LAMP DROPOUT</b>					
		90	155	180	205
<b>MIN AMBIENT STARTING TEMP</b>					
	-40°F/-40°C				
<b>60 HZ TEST PROCEDURES</b>					
<b>High Potential Test (Volts)</b>					
1 Minute		1,600 V			
1 Second		2,000 V			
<b>Open Circuit Voltage Test (V)</b>					
		175 - 215			
<b>Short Circuit Current Test (A)</b>					
		Min	6.25		
		Max	7.65		
		Min	3.00	1.70	1.50
		Max	4.50	2.60	2.25
		Max	1.95		
<b>CORE and COIL Specifications</b>					
Dimension A (in)		2.75			
Dimension B (in)		4.65			
Weight (lbs)		14.0			
Lead Lengths (in)		12			
<b>CAPACITOR REQUIREMENT</b>					
Microfarads		55.0 uf			
Volts (Min)		240 V			

**Capacitor:**

Microfarads: 55.0 uf  
Volts (Max): 330 V  
Case Temp(Max): 100°C  
D: 1.97 in  
L: 3.94 in  
A: 0.79 in

**Ignitor:**

Temp: 105 °C  
BTL: 2 ft



**60 HZ TEST PROCEDURES**

<b>High Potential Test (Volts)</b>					
1 Minute		1,600 V			
1 Second		2,000 V			
<b>Open Circuit Voltage Test (V)</b>					
		175 - 215			
<b>Short Circuit Current Test (A)</b>					
		Min	6.25		
		Max	7.65		
		Min	3.00	1.70	1.50
		Max	4.50	2.60	2.25
		Max	1.95		

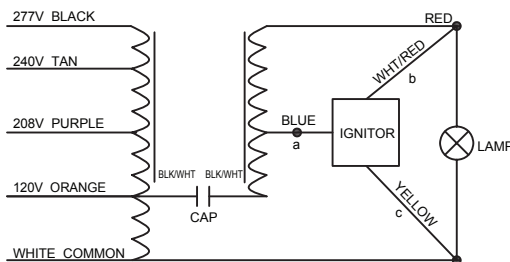
**CORE and COIL Specifications**

Dimension A (in)		2.75			
Dimension B (in)		4.65			
Weight (lbs)		14.0			
Lead Lengths (in)		12			

**CAPACITOR REQUIREMENT**

Microfarads		55.0 uf			
Volts (Min)		240 V			

**Wiring Diagram:**



**ORDERING INFORMATION**

The ballast is prewired comes with a kit including capacitor, ignitor and bracket.

Data is based upon tests performed by Plusrite in a controlled environment and is representative of relative performance. Actual performance can vary depending on operating conditions. Specifications are subject to change without notice.

Coil material: Al/Al