

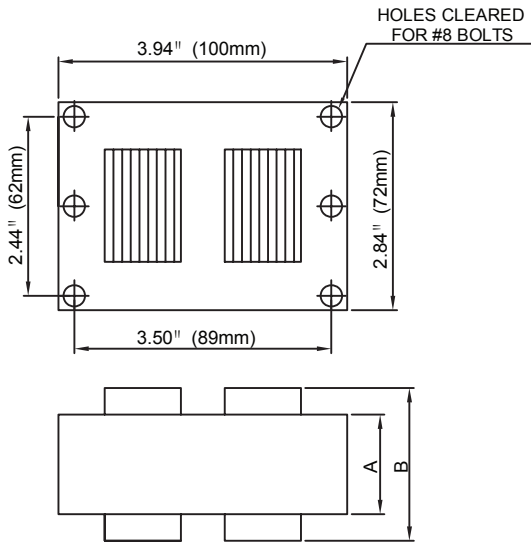
Plusrite®

CATALOG NUMBER: BAPS100-HX/V4

100W M90

Pulse Start Metal Halide Lamp Ballast
60 Hz HX-HPF

3X4 CORE.WMF



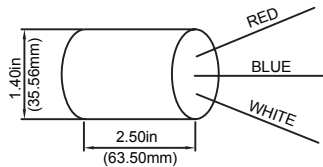
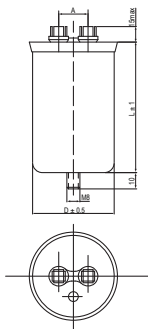
Input Volts	120	208	240	277
Circuit Type	HX-HPF			
REGULATION				
Line Volts	±5%			
Lamp Watts	±10%			
LINE CURRENT(Amps)				
Operating	1.10	0.65	0.55	0.50
Open Circuit	2.60	1.50	1.30	1.15
Starting	1.00	0.60	0.50	0.45
RECOMMENDED FUSE (Amps)				
	7	4	4	3
TEMPERATURE RATINGS				
Insulation Class	180 (H)			
Coil Temperature Code	A			
Benchtop Coil Rise	70.1	69.8	65.9	71.8
Power Factor (Min)	90%			
Input Watts	125 W			
Efficiency				
NOM. OPEN CIRCUIT VOLTAGE				
	270			
INPUT VOLTAGE AT LAMP DROPOUT				
	80	140	160	185
MIN AMBIENT STARTING TEMP				
	-20°F/-30°C			

Capacitor:

Microfarads: 12.0 uf
 Volts (Max): 330 V
 Case Temp(Max): 100°C
 D: 1.65 in
 L: 2.56 in
 A: 0.63 in

Ignitor:

Case Temp (Max): 105 °C
 BTL Distance (Max): 2 ft



60 HZ TEST PROCEDURES

High Potential Test (Volts)					
1 Minute	1,600 V				
1 Second	1,900 V				
Open Circuit Voltage Test (V)					
	240 - 300				
Short Circuit Current Test (A)					
Secondary Current	Min	1.20			
	Max	1.50			
Input Current	Min	0.40	0.25	0.20	0.15
	Max	0.75	0.45	0.40	0.35

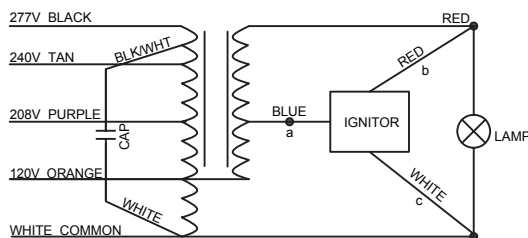
CORE and COIL Specifications

Dimension A (in)	1.70
Dimension B (in)	3.10
Weight (lbs)	5.2
Lead Lengths (in)	12

CAPACITOR REQUIREMENT

Microfarads	12.0 uf
Volts (Min)	280 V

Wiring Diagram:



ORDERING INFORMATION

The ballast is prewired comes with a kit including capacitor, ignitor and bracket.

Data is based upon tests performed by Plusrite in a controlled environment and is representative of relative performance. Actual performance can vary depending on operating conditions. Specifications are subject to change without notice.

Coil material: Cu/Al