



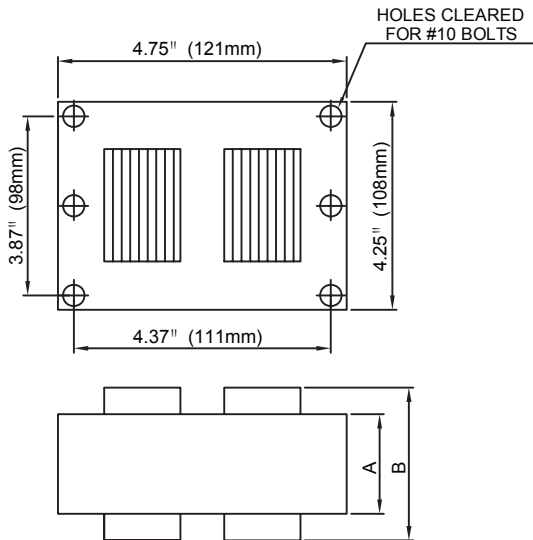
CATALOG NUMBER: BAMH400-CWA/V4

400W M59

Metal Halide Lamp Ballast

60 Hz CWA

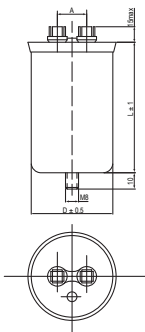
4X4 CORE.WMF



Input Volts		120	208	240	277
Circuit Type	CWA				
REGULATION					
Line Volts	±10%				
Lamp Watts	±9%				
LINE CURRENT(Amps)					
Operating		3.95	2.30	2.00	1.75
Open Circuit		3.95	2.30	2.00	1.75
Starting		2.80	1.50	1.35	1.20
RECOMMENDED FUSE (Amps)					
		10	6	5	5
TEMPERATURE RATINGS					
Insulation Class	180 (H)				
Coil Temperature Code		D	E	E	E
Benchtop Coil Rise		89.3	93.5	92.6	94.0
Power Factor (Min)	90%				
Input Watts	458 W				
Efficiency	87%				
NOM. OPEN CIRCUIT VOLTAGE					
	315				
INPUT VOLTAGE AT LAMP DROPOUT					
		45	75	85	95
MIN AMBIENT STARTING TEMP					
	-20°F/-30°C				
60 HZ TEST PROCEDURES					
High Potential Test (Volts)					
1 Minute	1,700 V				
1 Second	2,000 V				
Open Circuit Voltage Test (V)	285 - 350				
Short Circuit Current Test (A)					
Secondary Current	Min 3.50 Max 4.30				
Input Current	Min 2.15 Max 3.25	1.15	1.05	0.90	
		1.75	1.55	1.35	
CORE and COIL Specifications					
Dimension A (in)	2.00				
Dimension B (in)	4.10				
Weight (lbs)	10.0				
Lead Lengths (in)	12				
CAPACITOR REQUIREMENT					
Microfarads	24.0 uf				
Volts (Min)	360 V				

Capacitor:

Microfarads: 24.0 uf
 Volts (Max): 400 V
 Case Temp(Max): 100°C
 D: 1.77 in
 L: 3.54 in
 A: 0.71 in

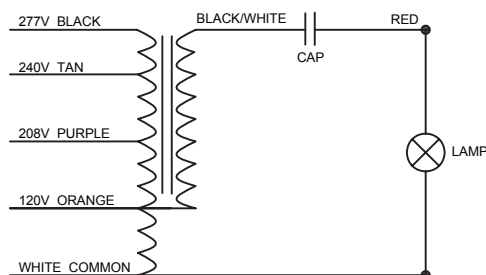


Oil-Filled Capacitor

Ignitor: None

No Ignitor Needed

Wiring Diagram:



ORDERING INFORMATION

The ballast is prewired and comes with a kit including capacitor and bracket.

Data is based upon tests performed by Plusrite in a controlled environment and is representative of relative performance. Actual performance can vary depending on operating conditions. Specifications are subject to change without notice.

Coil material: Cu/Al