

Type 2 Surge Protective Devices

Leviton's 51120 Series panel mount surge protective devices are designed for use in homes and apartment buildings at the service entrance, electrical utility meter, or other branch panel locations. They are also ideal for use in pumping stations, radio towers and light commercial buildings where protection from high-energy, high-voltage transients is desired.



51120-1



51120 Series Panel Mount Surge Protective Devices

- Single high-energy solid-state semiconductor surge suppression circuitry per phase
- Real-time diagnostic visual indicator shows power and suppression status for each protected phase
- Standard J-Box enclosure with pre-punched standard knock-outs can be easily surface mounted in typical frame construction
- Feature a low VPR to ensure protection of sensitive electronic devices including LCD TVs, PDAs and computers
- Compatible with Leviton Decora Home Controls
- Limited Lifetime Product Warranty
- Connected equipment coverage up to \$25,000 for the 51120-1

Ordering Information

Catalog Number	Description	Voltage (V AC) Configuration	Max Surge Current, Per Mode (Per Phase)
51120-1	2-Mode Surge Protection Panel	120/240 Single-phase, 2-wire + gnd	50kA (50kA)
51120-3	3-Mode Surge Protection Panel	120/208 3Ø WYE, 4-wire + gnd	50kA (50kA)

Specifications for: 32000/42000, 51120-1 and 51120-3

Catalog Number	51120-1	51120-3	32120-1 42120-1	32120-DY3 42120-DY3	32277-DY3 42277-DY3	32412-DS3 42412-DS3	32347-DY3 42347-DY3		
Electrical Specifications									
Voltage	120/240V AC, Single-Phase	120/208V AC, 3-Phase WYE	120V/240V Single Phase	120V/208V 3Ø WYE, 208V 3Ø Delta, 220V 3Ø Delta	277V/480V 3Ø WYE, 220V/380V 3Ø WYE, 240V 3Ø Delta, 480V 3Ø Delta	120V/240V/120V 3Ø Hi-leg Delta	347V/600V 3Ø WYE, 600V 3Ø Delta		
Surge Technology	40mm MOV design	40mm MOV design	40mm MOV design	40mm MOV design	40mm MOV design	40mm MOV design	40mm MOV design		
Frequency	50/60Hz	50/60Hz	50/60Hz	50/60Hz	50/60Hz	50/60Hz	50/60Hz		
Recommended Circuit Breaker Rating	20A, 120/24V	20A, 120/208V	20A, 120/240V	30A, 120/208V	30A, 277/480V	30A, 120/240V	30A, 347/600V		
EMI/RFI Noise Rejection	-6dB to -28dB (@100KHz to 100MHz)	-6dB to -28dB (@100KHz to 100MHz)	32000 Series: -20 to -40dB (@ 1.5K-1.2MHz)						
			42000 Series: -30 to -40dB (@ 10K-10MHz)						
Performance Data									
Maximum Continuous Operating Voltage (MCOV)	L-N	150V	150V	150V	150V	320V	150V	385V	
	L-G	—	—	300V	300V	640V	300V	—	
	N-G	—	—	150V	150V	320V	150V	—	
	L-L	300V	300V	254V	254V	552V	254V	770V	
Voltage Protection Rating (VPR)	L-N	800V	800V	800V	700V	1200V	800V	1200V ²	
	L-G	—	—	1200V	1200V	2000V	1200V	—	
	N-G	—	—	700V	700V	1200V	700V	1000V ²	
	L-L	1200V	1200V	1000V	1000V	1800V	1000V	2000V ²	
Nominal Discharge Rating (I _n)	3kA	3kA	3kA	3kA	3kA	3kA	3kA	N/A	
Maximum Surge Current, Per Mode (Per Phase)	50kA (50kA)	50kA (50kA)	80kA (80kA)	80kA (80kA)	80kA (80kA)	80kA (80kA)	80kA (80kA)	80kA (80kA)	
Short Circuit Current Rating	10kA	10kA	100kA	100kA	100kA	100kA	100kA	100kA	
Mechanical Specifications									
Connection Type	Parallel - Hardwired via 12AWG wire								
Diagnostics	Protection status LEDs	Real Time Protection status LEDs & Audible Alarm							
Remote Monitoring	—	Dry Contact Leads -N.O./N.C. Form C Rated at 7Amps @ 240VAC or 30VDC							
Environmental Specifications									
Enclosure type	NEMA 1	NEMA 3R Steel Enclosure							
Flammability	Rated V-2 per UL 94**								
Operating Temperature	-10°C to 60°C								
Storage Temperature	-20°C to 85°C								
Relative Humidity	5% to 95% non-condensing								
Material Specifications									
Outer Enclosure	Powder Coated Steel								
Standards & Certifications									
Agency Certification	cULus 1449 3rd Edition Listed Type 2						CSA C22.2 Certified		
ANSI/IEEE Category A, B & C	C-62.41 & C-62.45								
Warranty									
Product Warranty	Limited Lifetime								
Connected Equipment Coverage	Up to \$25,000*	—							

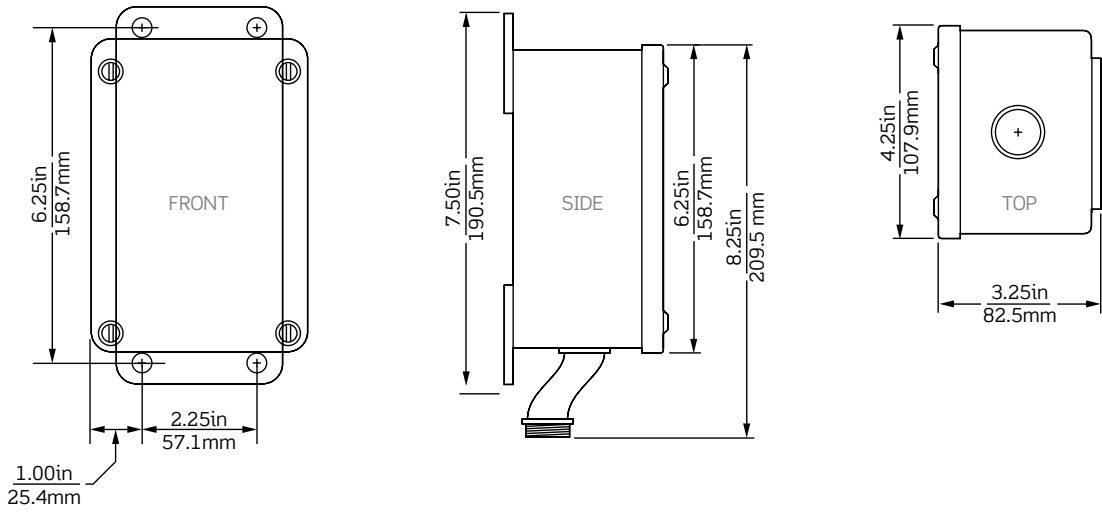
* As part of the True Whole House Surge Protection Warranty

** Flammability rating applies to module only

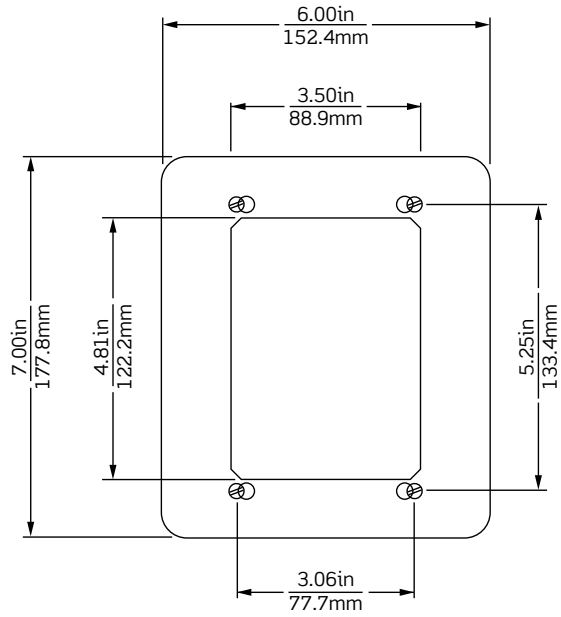
²Surge Voltage Rating (SVR)

Dimensions for: 32000/42000 Series, 51120-1 and 51120-3

Typical for
32000 / 42000
Series



42001-FMC



51120-1 &
51120-3

