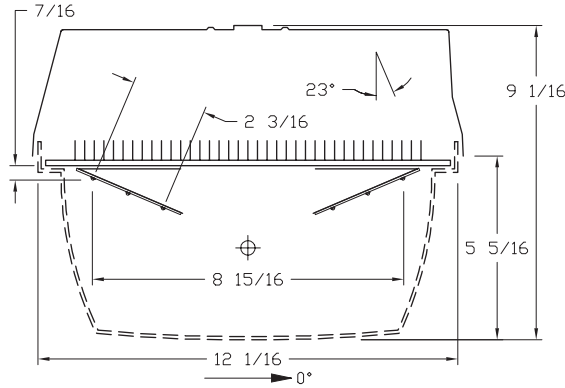




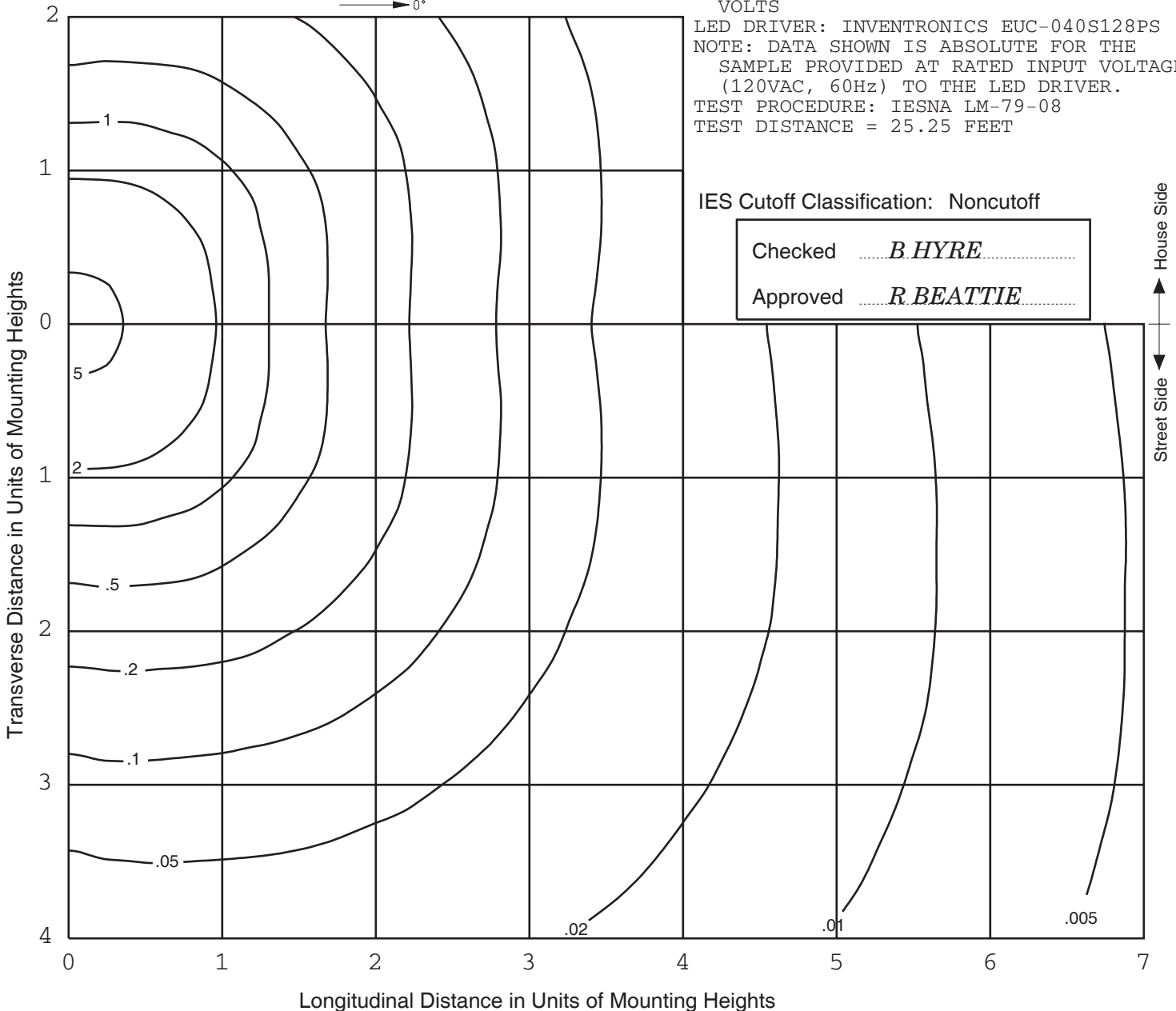
ISOFOOTCANDLE LINES OF HORIZONTAL ILLUMINATION
 Values based on 10 foot mounting height.



REPORT NUMBER: ITL67102
 DATE: 01/13/11
 REVISED: 04/21/12
 PREPARED FOR: MAXLITE
 CATALOG NUMBER: MLCAN40LED50
 LUMINAIRE: CAST BROWN PAINTED METAL HOUSING, FABRICATED FINNED DIFFUSE METAL CIRCUIT BOARD MOUNTING ASSEMBLY, FOUR CIRCUIT BOARDS EACH WITH 9 LEDS, CLEAR PRISMATIC PLASTIC REFRACTOR.
 LAMPS: THIRTY-SIX WHITE LIGHT EMITTING DIODES (LEDS) EACH WITH CLEAR HEMISPHERICAL INTEGRAL LENS, TILTED 23-DEGREES FROM VERTICAL BASE-UP POSITION.
 TOTAL INPUT WATTS = 39.4 AT 120.0 VOLTS
 LED DRIVER: INVENTRONICS EUC-040S128PS
 NOTE: DATA SHOWN IS ABSOLUTE FOR THE SAMPLE PROVIDED AT RATED INPUT VOLTAGE (120VAC, 60Hz) TO THE LED DRIVER.
 TEST PROCEDURE: IESNA LM-79-08
 TEST DISTANCE = 25.25 FEET

IES Cutoff Classification: Noncutoff

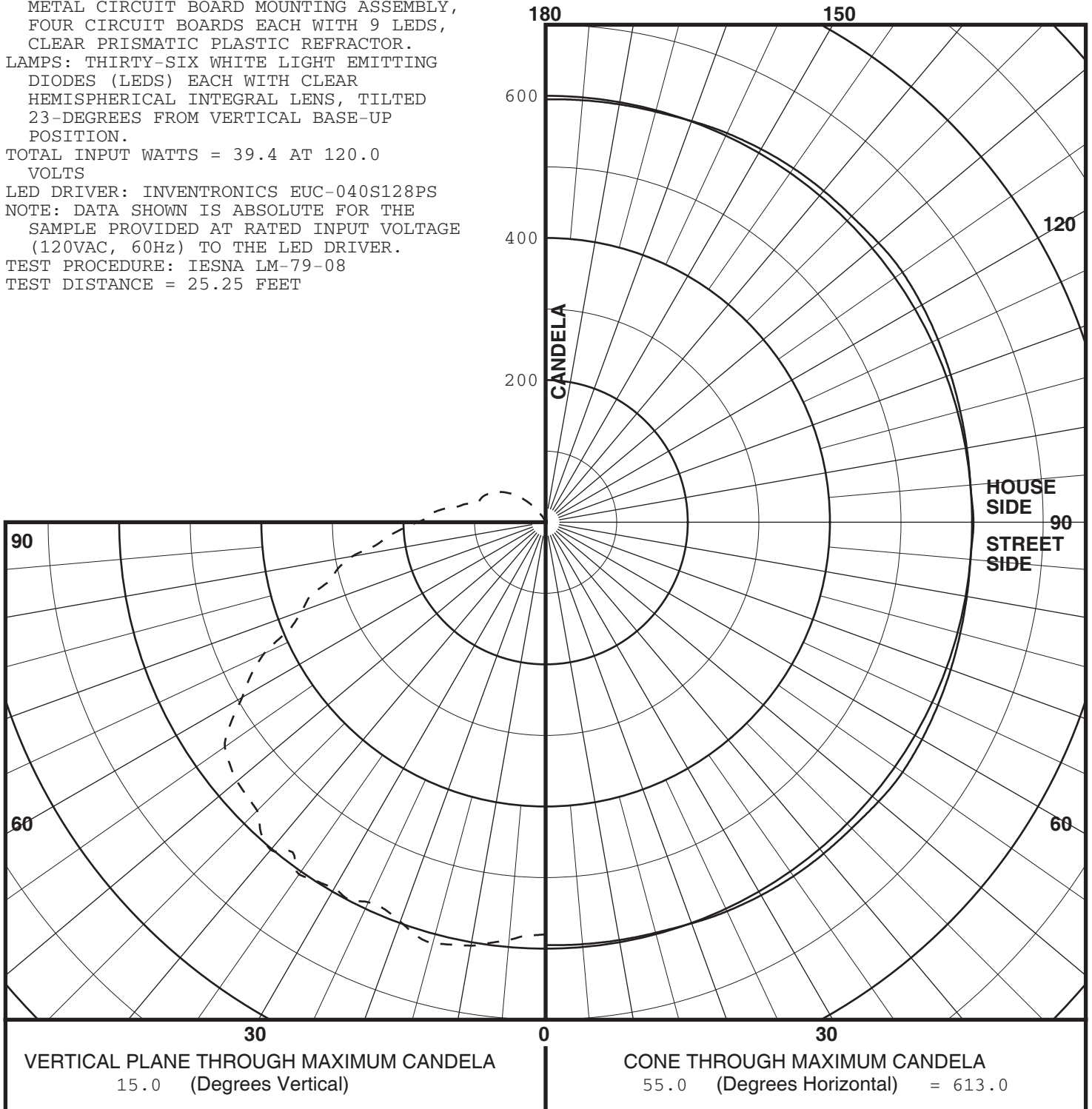
Checked *B. HYRE*
 Approved *R. BEATTIE*

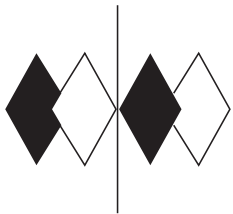




REPORT NUMBER: ITL67102
 DATE: 01/13/11
 REVISED: 04/21/12
 PREPARED FOR: MAXLITE
 CATALOG NUMBER: MLCAN40LED50
 LUMINAIRE: CAST BROWN PAINTED METAL HOUSING, FABRICATED FINNED DIFFUSE METAL CIRCUIT BOARD MOUNTING ASSEMBLY, FOUR CIRCUIT BOARDS EACH WITH 9 LEDS, CLEAR PRISMATIC PLASTIC REFRACTOR.
 LAMPS: THIRTY-SIX WHITE LIGHT EMITTING DIODES (LEDs) EACH WITH CLEAR HEMISPHERICAL INTEGRAL LENS, TILTED 23-DEGREES FROM VERTICAL BASE-UP POSITION.
 TOTAL INPUT WATTS = 39.4 AT 120.0 VOLTS
 LED DRIVER: INVENTRONICS EUC-040S128PS
 NOTE: DATA SHOWN IS ABSOLUTE FOR THE SAMPLE PROVIDED AT RATED INPUT VOLTAGE (120VAC, 60Hz) TO THE LED DRIVER.
 TEST PROCEDURE: IESNA LM-79-08
 TEST DISTANCE = 25.25 FEET

MAXIMUM PLANE AND MAXIMUM CONE PLOTS OF CANDELA

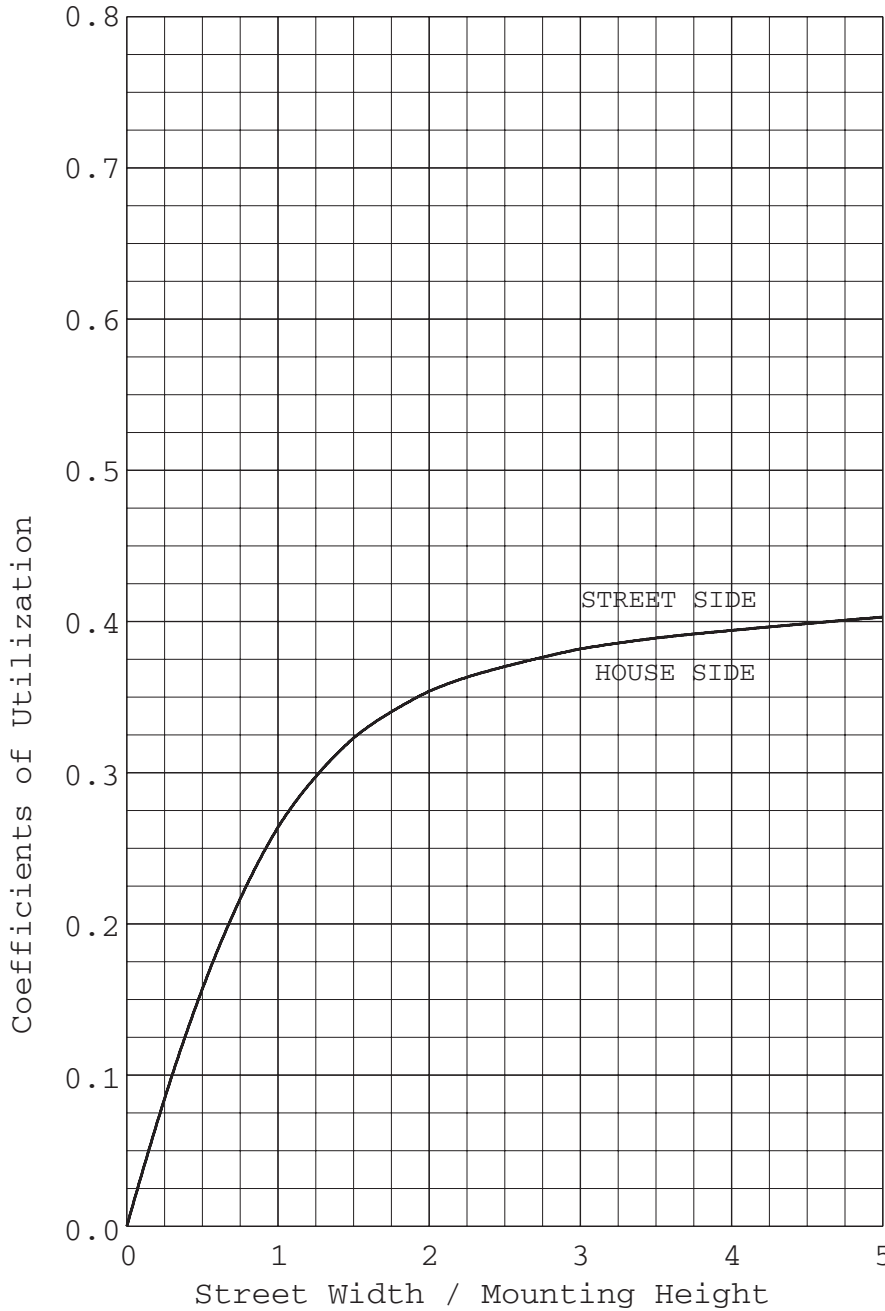




REPORT NUMBER: ITL67102
 PREPARED FOR: MAXLITE

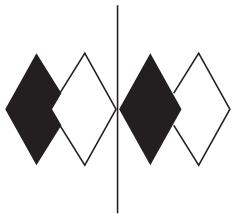
DATE: 01/13/11
 REVISED: 04/21/12

COEFFICIENTS OF UTILIZATION AND FLUX DISTRIBUTION



	LUMENS	PERCENT OF FIXTURE
DOWNWARD STREET SIDE	1303	43.0
DOWNWARD HOUSE SIDE	1303	43.0
DOWNWARD TOTAL	2607	85.9
UPWARD STREET SIDE	214	7.0
UPWARD HOUSE SIDE	214	7.0
UPWARD TOTAL	428	14.1
TOTAL FLUX	3034	100.0
EFFICACY = 77.0 Lm/W		

ALL CANDELA AND LUMENS IN THIS REPORT ARE BASED ON ABSOLUTE PHOTOMETRY. THE COEFFICIENT OF UTILIZATION VALUES ARE BASED ON THE TOTAL ABSOLUTE LUMEN OUTPUT OF THIS LUMINAIRE SAMPLE.



itl boulder
THE LIGHT CENTER OF THE INDUSTRY SINCE 1955

INDEPENDENT TESTING LABORATORIES, INC.
 3386 LONGHORN ROAD, BOULDER, CO 80302 USA

PHONE: (303)442-1255 • FAX: (303)449-5274 • E-MAIL: itl@itlboulder.com • WEBSITE: www.itlboulder.com

REPORT NUMBER: ITL67102
 DATE: 01/13/11
 REVISED: 04/21/12
 PREPARED FOR: MAXLITE

FLUX DISTRIBUTION BY SOLID ANGLE

(PER IESNA TM-15-07, LUMINAIRE CLASSIFICATION SYSTEM FOR OUTDOOR LUMINAIRES)

	LUMENS	PERCENT OF FIXTURE	BUG ZONE RATINGS
FORWARD LIGHT	1303.	43.0	
FL (0- 30)	251.3	8.3	
FM (30- 60)	613.1	20.2	
FH (60- 80)	336.1	11.1	G0
FVH(80- 90)	102.9	3.4	U2 G1
BACK LIGHT	1303.	43.0	
BL (0- 30)	251.3	8.3	B1
BM (30- 60)	613.1	20.2	B1
BH (60- 80)	336.1	11.1	B1 G0
BVH(80- 90)	102.9	3.4	U2 G1
UPLIGHT	428.	14.1	
UL (90-100)	142.5	4.7	U3
UH (100-180)	285.2	9.4	U3
TRAPPED LIGHT	0.	0.0	
TOTAL FLUX	3034.	100.0	

BACKLIGHT, UPLIGHT, AND GLARE (BUG) RATINGS
 (PER ADDENDUM A FOR IESNA TM-15-07)

BUG RATING: B1 U3 G1



itl boulder

THE LIGHT CENTER OF THE INDUSTRY SINCE 1955

INDEPENDENT TESTING LABORATORIES, INC.
3386 LONGHORN ROAD, BOULDER, CO 80302 USA

PHONE: (303)442-1255 • FAX: (303)449-5274 • E-MAIL: itl@itlboulder.com • WEBSITE: www.itlboulder.com

REPORT NUMBER: ITL67102
PREPARED FOR: MAXLITE

DATE: 01/13/11
REVISED: 04/21/12

CANDELA TABULATION

	LATERAL ANGLE										
	0.0	5.0	15.0	25.0	35.0	45.0	55.0	65.0	75.0	85.0	90.0
	180.0	0.	0.	0.	0.	0.	0.	0.	0.	0.	0.
	175.0	0.	0.	0.	0.	0.	0.	0.	0.	0.	0.
	165.0	0.	0.	0.	0.	0.	0.	0.	0.	0.	0.
	155.0	9.	9.	8.	5.	0.	0.	1.	6.	8.	9.
	145.0	26.	26.	24.	22.	19.	21.	20.	21.	24.	25.
	135.0	42.	42.	41.	42.	48.	50.	49.	42.	41.	43.
	125.0	56.	56.	55.	64.	73.	76.	74.	65.	55.	56.
	115.0	65.	65.	69.	82.	91.	93.	92.	82.	70.	64.
	105.0	70.	72.	80.	94.	102.	104.	103.	97.	82.	72.
	95.0	95.	103.	119.	143.	157.	162.	158.	143.	119.	95.
	92.5	96.	105.	124.	147.	164.	175.	165.	151.	126.	100.
	90.0	104.	117.	134.	160.	177.	186.	180.	166.	137.	113.
	87.5	121.	136.	156.	183.	199.	209.	201.	183.	153.	126.
	85.0	132.	149.	168.	194.	214.	226.	221.	201.	165.	140.
V	82.5	155.	174.	190.	219.	241.	248.	239.	213.	178.	157.
E	80.0	170.	188.	209.	237.	262.	282.	276.	252.	212.	183.
R	77.5	207.	227.	247.	283.	309.	314.	299.	278.	239.	211.
T	75.0	222.	241.	261.	291.	316.	322.	313.	287.	254.	225.
I	72.5	230.	246.	271.	312.	344.	360.	348.	315.	269.	236.
C	70.0	265.	283.	306.	342.	375.	369.	365.	345.	301.	266.
A	67.5	278.	293.	316.	352.	384.	395.	388.	346.	305.	270.
L	65.0	294.	308.	341.	391.	436.	455.	437.	394.	340.	297.
	62.5	341.	361.	388.	437.	472.	473.	468.	433.	379.	342.
A	60.0	362.	384.	417.	470.	497.	506.	493.	448.	396.	358.
N	57.5	380.	399.	419.	482.	520.	545.	525.	482.	421.	382.
G	55.0	415.	433.	455.	511.	547.	559.	551.	502.	446.	418.
L	52.5	443.	451.	477.	534.	565.	573.	560.	509.	471.	443.
E	50.0	463.	474.	491.	540.	569.	587.	567.	529.	481.	453.
	47.5	483.	494.	506.	532.	566.	580.	570.	539.	510.	491.
	45.0	495.	499.	522.	548.	573.	593.	574.	539.	510.	489.
	42.5	514.	523.	533.	572.	593.	594.	593.	576.	549.	534.
	40.0	540.	554.	564.	607.	609.	597.	602.	606.	567.	552.
	37.5	567.	568.	569.	585.	581.	598.	585.	589.	571.	567.
	35.0	565.	572.	568.	583.	593.	605.	605.	597.	578.	569.
	32.5	574.	580.	582.	590.	596.	603.	599.	602.	598.	598.
	30.0	577.	586.	587.	587.	589.	595.	595.	590.	589.	585.
	25.0	589.	593.	600.	595.	594.	587.	590.	599.	608.	602.
	20.0	589.	593.	595.	600.	599.	605.	598.	600.	598.	591.
	15.0<<	595.	596.	598.	604.	608.	609.	613.	609.	604.	600.
	10.0	596.	598.	598.	596.	601.	600.	605.	604.	597.	598.
	5.0	591.	591.	592.	594.	592.	590.	590.	589.	587.	585.
	0.0	580.	580.	580.	580.	580.	580.	580.	580.	580.	580.

PLANE OF MAXIMUM CANDELA

CONE OF MAXIMUM CANDELA



INDEPENDENT TESTING LABORATORIES, INC.
3386 LONGHORN ROAD, BOULDER, CO 80302 USA

PHONE: (303)442-1255 • FAX: (303)449-5274 • E-MAIL: itl@itlboulder.com • WEBSITE: www.itlboulder.com

REPORT NUMBER: ITL67102
PREPARED FOR: MAXLITE

DATE: 01/13/11
REVISED: 04/21/12

5-DEGREE
ZONAL LUMEN SUMMARY

0- 5	14.
5- 10	43.
10- 15	71.
15- 20	99.
20- 25	125.
25- 30	151.
30- 35	174.
35- 40	194.
40- 45	208.
45- 50	214.
50- 55	221.
55- 60	215.
60- 65	200.
65- 70	175.
70- 75	157.
75- 80	140.
80- 85	113.
85- 90	93.
90- 95	77.
95-100	65.
100-105	54.
105-110	45.
110-115	41.
115-120	37.
120-125	31.
125-130	26.
130-135	20.
135-140	14.
140-145	9.
145-150	5.
150-155	2.
155-160	0.
160-165	0.
165-170	0.
170-175	0.
175-180	0.

10-DEGREE
ZONAL LUMEN SUMMARY

0- 10	57.
0- 20	227.
0- 30	503.
0- 40	871.
0- 50	1294.
0- 60	1729.
0- 70	2104.
0- 80	2401.
0- 90	2607.
0-100	2749.
0-110	2848.
0-120	2926.
0-130	2983.
0-140	3017.
0-150	3032.
0-160	3034.
0-170	3034.
0-180	3034.