

MLLWP60LED50

LED WALLMAX - 60 SERIES LARGE WALL PACK



FEATURES:

- Replaces up to 250-watt metal halide
- Universal 120-277V
- Maintenance free for up to 13 Years
- Mercury free and operates without UV
- Heavy-duty cast aluminum housing is polyester powder coated to be rust and corrosion proof
- High quality shatterproof glass
- Sealed fixture is dirt and bug free
- Multiple knockouts for mounting convenience
- Occupancy and dusk-to-dawn sensor compatible
- LM-79/80 data available
- 5 Year Limited Warranty

PROJECT NAME
CATALOG NUMBER
NOTES
FIXTURE TYPE

CONSTRUCTION:

Fixture: This rust and corrosion proof fixture is constructed of heavy-duty cast aluminum one-piece housing, with a polyester powder coat, and is sealed to be dirt and bug proof.

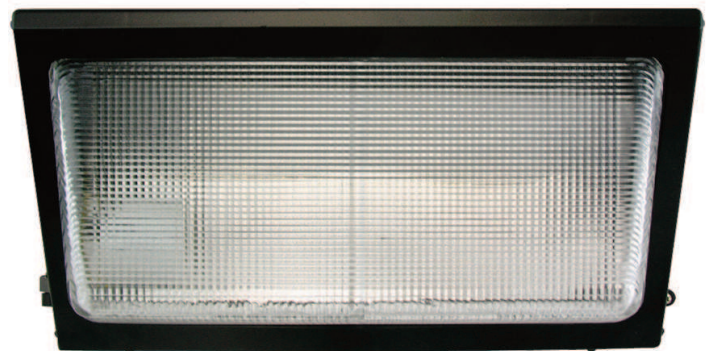
Lens: High quality shatter resistant borosilicate glass

LED Module: Aluminum components in the LED module act as heat sinks to reduce heat and add to life. This makes the fixture an efficient replacement for metal halide and high pressure sodium fixtures, while reducing wattage and extending life.

LED Driver: Self contained driver meets UL 1310 UL 48 Class2

Finish: Available in dark bronze or white, with polyester powdercoated finish.

Installation: Can mount to recessed outlet boxes or directly to surfaces



Available Options:

- Wire Guard
- PhotoCell
- Emergency Battery Backup

Luminaire Ordering Information:

WATTS	ORDER CODE	MODEL NUMBER	DELIVERED LUMENS	LAMP LIFE (Hrs.)	DIMENSIONS (L"xW"xH")	CCT
60	70910	MLLWP60LED50	2800	50,000	18.5 x 9.5 x 9.0	5000
60	71180	MLLWP60LED50W	2800	50,000	18.5 x 9.5 x 9.0	5000

Lighting layouts and spacing criteria available upon request



MAX12106



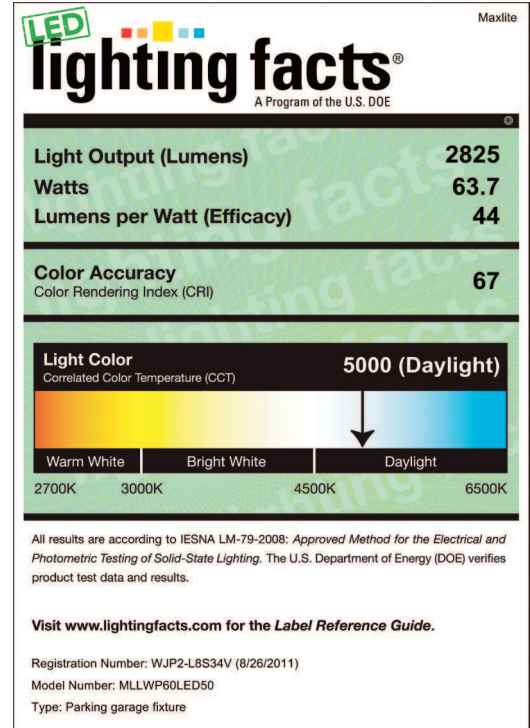
MLLWP60LED50

LED WALLMAX - 60 SERIES LARGE WALL PACK



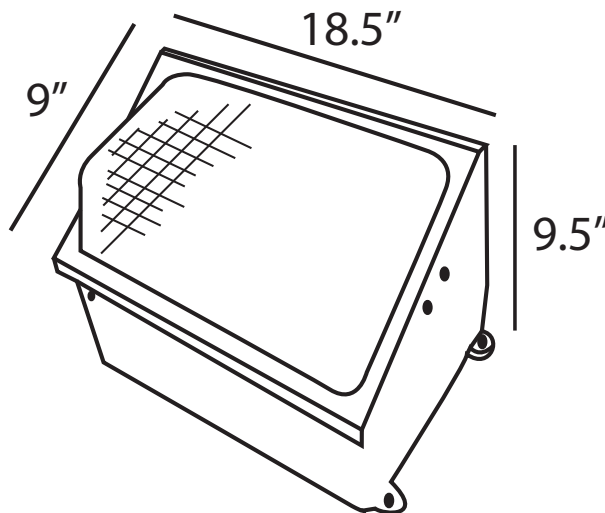
SPECIFICATIONS:

Item	Specification	Details
General Performance	Spacing Criteria	Available upon request
	Color Temperature	5000K
	Lumens Delivered	2800
	Efficacy	44 lumen/watt
	Color Consistency	Proprietary binning for uniform color
	Lumen Maintenance (L70)	50,000 hours
Electrical	Power Factor	Over 98%
	Input Voltage	120V-277V 50/60 Hz
	Power Consumption	60 Watts
Physical	Dimensions	18.5" x 9.5" x 9.0"
	Weight	10.5 lbs
	Housing	Aluminum
	Lens	High quality shatter resistant borosilicate glass
	Mounting	Can mount to recessed outlet box or direct to surface
	Operating Temperature	-30°F to 130°F
	Humidity	20% - 85% RH, non condensing
Certification	Certification	CETL, FCC, LM79, LM80
	Material Usage	RoHS compliant; no mercury
	Environment	Indoor / Outdoor
	LED Class	L70 rated to 50,000 hours



Lighting layouts and spacing criteria available upon request

DIMENSIONS:

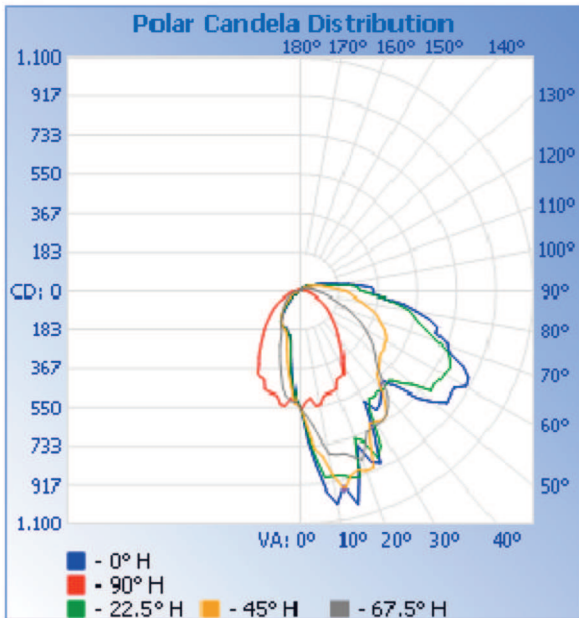


MILLWP60LED50

LED WALLMAX - 60 SERIES LARGE WALL PACK



PHOTOMETRICS:



Lighting layouts and spacing criteria available upon request

