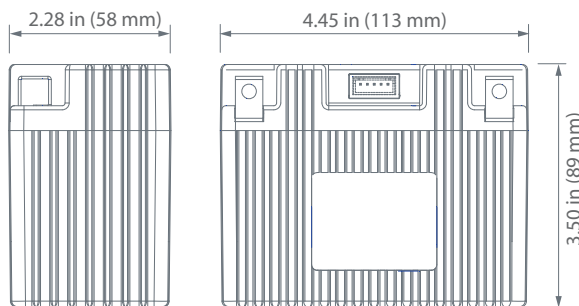


Specification

Nominal Voltage	12V
Nominal Capacity	Equivalent to a 7Ah SLA
Approximate Weight	1.01 lbs (.483 kg)
Cold Cranking Amps	102
Self Discharge	Less than 3% per month
Charge Method (Constant Voltage)	
Cycle Use (Repeating Use)	
Initial Current	7 A Max.
Control Voltage	14.4 V
Float Use	
Control Voltage	13.4 - 13.5 V



Physical Dimensions: in (mm)



L: 4.45 in (113 mm)
W: 2.28 in (58 mm)
H: 3.5 in (89 mm)

Tolerances are +/- 0.04 in. (+/- 1mm) and +/- 0.08 in. (+/- 2mm) for height dimensions. All data subject to change without notice.



- Extreme-rate LiFePO4 cell technology
- Ultra light, One-fifth the weight of a lead-acid battery on average
- Zero sulfation for longer service life
- Drop-in replacement for your OEM battery
- Military spec carbon composite case
- Faster cranking for better starts
- Super-fast recharge rate
- No explosive gasses during charge - no lead, no acid
- Environmentally friendly - just discharge and recycle



www.upgi.com

1720 Hayden Drive | Carrollton, Texas 75006 | P 469.892.1122 | T 866.892.1122 | F 469.892.1123 | sales@upgi.com