

Model Number:

Accessories:

Type:

Job:

Approvals:

DESCRIPTION

TRACE^{*}LITE's FOCUS series sportslighter has bridged the gap between the significant energy savings of solid state LED light engines and the precise beam control needed for sports lighting applications. A very low-profile aluminum housing incorporates a substantial heat sink that provides excellent thermal management required by the high wattage LED light engine. Precision optical lenses combined with a high-performance, high wattage solid state LED light engine provide viable, energy saving alternative to traditional HID sportslighters. The FOCUS series has been engineered to provide a LED sportslight luminaire that delivers concise and consistent optical performance, significant energy savings and over a tenfold increase in longevity over traditional MH lamps, all in an attractive and durable housing. Available LED light engines include a 200w unit that provides 16,500 initial delivered lumens and a 400w unit that provides 32,500 initial delivered lumens. Optical lenses are available in 15°, 20°, 35° and 60° beam angles, or the FOCUS can be configured with no optical lens.

SPECIFICATIONS**Construction:**

The FOCUS has a precision designed aluminum housing with integrated thermal management, integrally mounted drivers and stainless steel hardware, which allows for optimum performance and durability of the LED light engine. The LEDLITElogic heat sinking technology moves heat away from the LEDs maximizing system performance. The low profile of the luminaire allows for more units to mounted to each structure, which adds to the savings already created by the reduced power consumption. The FOCUS is completely sealed and gasketed, is UL listed for wet locations, and has multiple cam latches to secure the door/lens and allow for easy maintenance access. The FOCUS also incorporates a UV resistant, long lasting, polyester based powder coated finish.

Optics:

Our FOCUS series sportslighter delivers exceptional light quality, with 5700K CCT a CRI of ≥ 70 and a projected color shift of less than 1%. The FOCUS LED light engine and optical lens combinations are specifically designed to distribute light in both the vertical and horizontal angles with a very specific beam pattern. Tight control of the light distribution not only puts light where it is needed in the most efficient way possible, but it also eliminates the need for glare visors and spill control reflectors. Optical options include lenses with either 15°, 20°, 35° or 60° beam angles, the FOCUS can also be configured with no optical lens.

Electrical:

A choice of performance levels is available in the FOCUS series, available LED light engines include a 200w engine with 96 LEDs providing 16,500 initial delivered lumens or a 400w engine with 192 LEDs providing 32,500 initial delivered lumens, see chart on Page 2 for complete performance figures. The FOCUS available LED light engine wattages are powered by constant current control drivers and provide a 40,000 hour rated life with 70% lumen maintenance, a 5700K CCT, and a CRI of ≥ 70 . All drivers are Class 2 power supplies with input voltages of 120/208/240VAC (80VAC ~ 264VAC) or 277VAC, 50/60Hz, a Class A EMI rating and a high power factor of ≥ 0.95 . The FOCUS is suitable for operation in -40°C (-40°F) to 40°C (104°F) ambient conditions.

SPECIFICATIONS ARE SUBJECT
TO CHANGE WITHOUT NOTICE**Environmentally Friendly Design:**

FOCUS luminaires consume very little energy and provide long life in comparison to traditional lamp technologies. Our manufacturing process utilizes no hazardous substances such as mercury or lead. The FOCUS is RoHS (Restriction of Hazardous Substances) compliant, 100% recyclable, and provides a significant reduction in Kw load and carbon emissions.

Installation:

The FOCUS series features a heavy duty mounting yoke with angle indicators to allow for easy installation and aiming. Drivers are mounted in a separate, wet location enclosure integrated behind the LED modules.

Testing & Compliance:

The reliability and performance of the FOCUS is evaluated in accordance with the parameters outlined and reported by LM-79 and LM-80 documents. Photometric data is tested to IESNA LM-79-08 standard by an independent testing laboratory. Lumen maintenance, L70 a measure of long term reliability, is determined for the light source, which consists of the LED and PSB sub-assembly as installed in the luminaire, is determined using LM-80 in situ thermal and reliability data as provided by the LED manufacturer in accordance with DOE/EPA standards. DLC compliancy is currently in process.

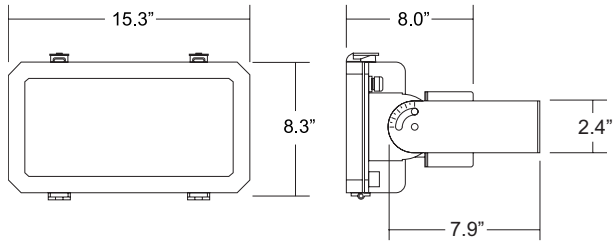
Listing:

The FOCUS is ETL certified under UL1598 specifications and listed for wet locations.

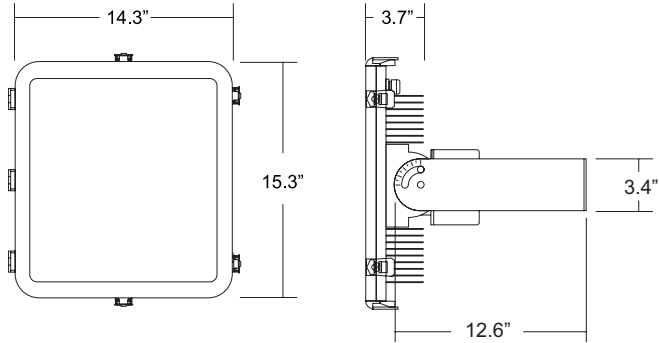
Warranty:

The FOCUS LEDLITElogic series features a 5 year warranty.

DIMENSIONS



200 Watt
Approximate Weight: 25 lbs.
EPA: 0.9



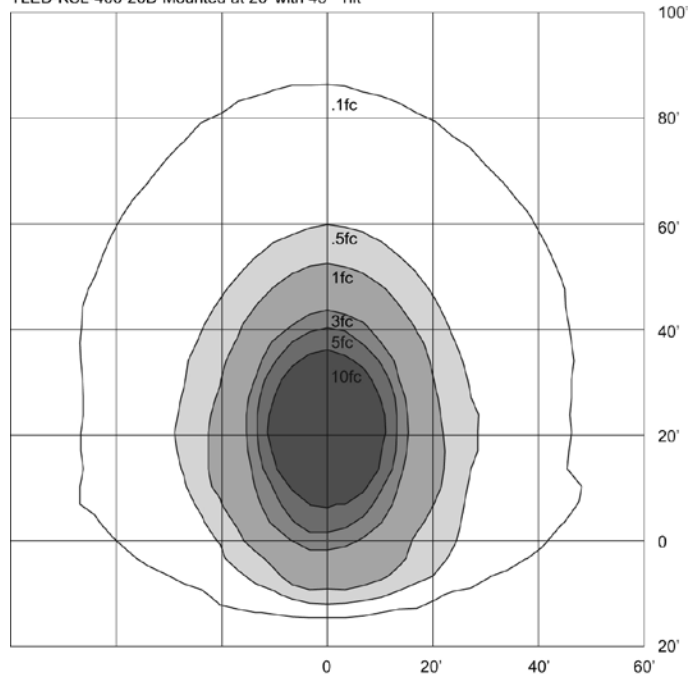
400 Watt
Approximate Weight: 39 lbs.
EPA: 1.5

Fixture Performance			
Part Number	Initial Lumens	Lumens per Watt (LPW)	Total Watts
TLED-KSL-200	16603	87	190
TLED-KSL-400	32577	85	385

NOTE: Lumen maintenance and life (part of LM-80 data) are per published information from primary LED suppliers and is based on design operation at their specified thermal management and electrical design parameters.

SAMPLE PHOTOMETRICS

TLED-KSL-400-20D Mounted at 20' with 45° Tilt



ORDERING INFORMATION

TLED-KSL

400

15D

277

SERIES

TLED-KSL = FOCUS

NOMINAL WATTAGE

200 = 200W
400 = 400W

OPTICAL

15D = 15° Beam Angle
20D = 20° Beam Angle
35D = 35° Beam Angle
60D = 60° Beam Angle
NL = No Optical Lens

INPUT VOLTAGE

120/240 = 120/208/240VAC (80VAC ~ 264VAC)
277 = 277VAC



1911 West Parkside Lane • Phoenix, AZ 85027
888.533.3948 • 623.580.3948 • Fax: 623.580.8948
www.barronltg.com