

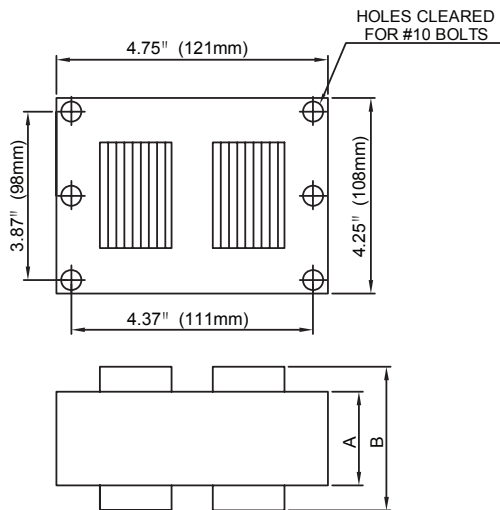


CATALOG NUMBER: BALU250-CWA/V5

250W S50

High Pressure Sodium Lamp Ballast
60 Hz CWA

4X4 CORE - HX, CWA & CWI UNITS



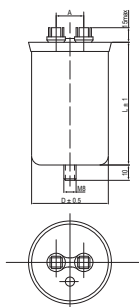
Input Volts		120	208	240	277	480
Circuit Type	CWA					
REGULATION						
Line Volts	±10%					
Lamp Watts	±13%					
LINE CURRENT(Amps)						
Operating		2.50	1.45	1.25	1.10	0.66
Open Circuit		1.90	1.10	0.95	0.85	0.45
Starting		1.80	1.00	0.90	0.75	0.36
RECOMMENDED FUSE (Amps)						
		7	4	4	3	2
TEMPERATURE RATINGS						
Insulation Class	H					
Coil Temperature Code	B					
Benchtop Coil Rise		77.4	79.3	79.1	77.9	77.9
Power Factor (Min)	90%					
Input Watts	295 W					
Current Crest Factor						
NOM. OPEN CIRCUIT VOLTAGE						
	195					
INPUT VOLTAGE AT LAMP DROPOUT						
		85	145	170	195	323
MIN AMBIENT STARTING TEMP						
	-40°F/-40°C					
60 HZ TEST PROCEDURES						
High Potential Test (Volts)						
1 Minute						1,600 V
1 Second						2,000 V
Open Circuit Voltage Test (V)						
						175 - 215
Short Circuit Current Test (A)						
	Min					3.80
	Max					4.70
	Min	1.25	0.70	0.60	0.50	0.19
	Max	1.90	1.10	0.95	0.85	0.28
CORE and COIL Specifications						
Dimension A (in)						2.16
Dimension B (in)						3.74
Weight (lbs)						11.0
Lead Lengths (in)						12
CAPACITOR REQUIREMENT						
Microfarads						35.0 uf
Volts (Min)						240 V

Capacitor:

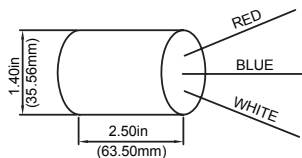
Microfarads: 35.0 uf
Volts (Max): 330 V
Case Temp(Max): 100°C
D: 1.77 in
L: 3.54 in
A: 0.71 in

Ignitor:

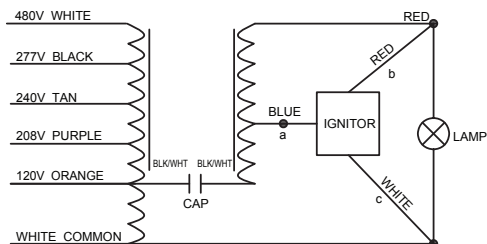
Temp: 105 °C
BTL : 2 ft



Oil-Filled Capacitor



Wiring Diagram:



ORDERING INFORMATION

The ballast is prewired comes with a kit including capacitor, ignitor and bracket.

Data is based upon tests performed by Plusrite in a controlled environment and is representative of relative performance. Actual performance can vary depending on operating conditions. Specifications are subject to change without notice.

Coil material: Al/Al