

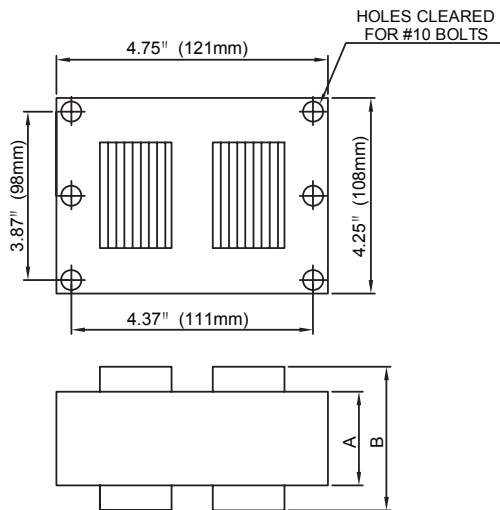


CATALOG NUMBER: BALU400-CWA/V5

400W S51

**High Pressure Sodium Lamp Ballast
60 Hz CWA**

4X4 CORE- HX, CWA & CWI UNITS



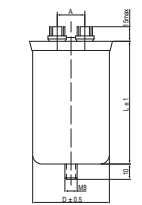
| | | | | | | |
|---------------------------------------|-------------|------|------|------|------|------|
| Input Volts | | 120 | 208 | 240 | 277 | 480 |
| Circuit Type | CWA | | | | | |
| REGULATION | | | | | | |
| Line Volts | ±10% | | | | | |
| Lamp Watts | ±13% | | | | | |
| LINE CURRENT(Amps) | | | | | | |
| Operating | 3.80 | 2.20 | 1.90 | 1.70 | 0.96 | |
| Open Circuit | 1.50 | 0.85 | 0.75 | 0.65 | 0.44 | |
| Starting | 3.70 | 2.15 | 1.85 | 1.60 | 0.90 | |
| RECOMMENDED FUSE (Amps) | | | | | | |
| | 10 | 7 | 6 | 5 | 4 | |
| TEMPERATURE RATINGS | | | | | | |
| Insulation Class | H | | | | | |
| Coil Temperature Code | C | C | D | C | C | |
| Benchtop Coil Rise | 83.8 | 84.2 | 85.9 | 82.3 | 82.3 | |
| Power Factor (Min) | 90% | | | | | |
| Input Watts | 460 W | | | | | |
| Current Crest Factor | 1.60 | | | | | |
| NOM. OPEN CIRCUIT VOLTAGE | | | | | | |
| | 195 | | | | | |
| INPUT VOLTAGE AT LAMP DROPOUT | | | | | | |
| | 90 | 155 | 180 | 205 | 335 | |
| MIN AMBIENT STARTING TEMP | | | | | | |
| | -40°F/-40°C | | | | | |
| 60 HZ TEST PROCEDURES | | | | | | |
| High Potential Test (Volts) | | | | | | |
| 1 Minute | 1,600 V | | | | | |
| 1 Second | 2,000 V | | | | | |
| Open Circuit Voltage Test (V) | | | | | | |
| | 175 - 215 | | | | | |
| Short Circuit Current Test (A) | | | | | | |
| Secondary Current | Min | 6.25 | | | | |
| | Max | 7.65 | | | | |
| Input Current | Min | 3.00 | 1.70 | 1.50 | 1.30 | 0.67 |
| | Max | 4.50 | 2.60 | 2.25 | 1.95 | 1.00 |
| CORE and COIL Specifications | | | | | | |
| Dimension A (in) | 2.75 | | | | | |
| Dimension B (in) | 4.33 | | | | | |
| Weight (lbs) | 14.0 | | | | | |
| Lead Lengths (in) | 12 | | | | | |
| CAPACITOR REQUIREMENT | | | | | | |
| Microfarads | 55.0 uf | | | | | |
| Volts (Min) | 240 V | | | | | |

Capacitor:

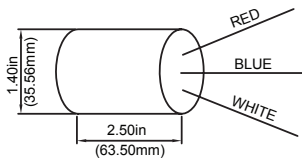
Microfarads: 55.0 uf
 Volts (Max): 300 V
 Case Temp(Max): 100°C
 D: 1.97 in
 L: 3.94 in
 A: 0.79 in

Ignitor:

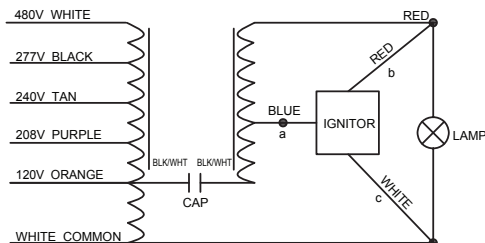
Temp: 105 °C
 BTL: 2 ft



Oil-Filled Capacitor



Wiring Diagram:



ORDERING INFORMATION

The ballast is prewired comes with a kit including capacitor, ignitor and bracket.

Data is based upon tests performed by Plusrite in a controlled environment and is representative of relative performance. Actual performance can vary depending on operating conditions. Specifications are subject to change without notice.

Coil material: Cu/Al