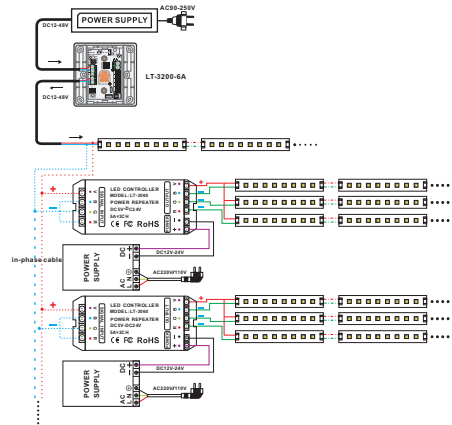


3. Power repeater connected to LED dimmer as follows



6. Attention:

1. This product is non-waterproof, please avoid the sun and rain. Put it in a waterproof box if install outdoor.
2. The condition of radiation will affect the working life of controller, please install the product in a good radiation condition.
3. Please check if the output voltage of the LED power supply comply with the voltage range of the product.
4. This product is a high current device, please ensure a solid connection in order to avoid poor contact to damage parts and trigger fires.
5. Ensure all wire connection are correct before power debugging, which is to avoid lamps to be burnt because of wrong connection.
6. All the switching power supply must be well grounded, so as not to affect the working life of LED.
7. Please do not maintain it by yourself if any fault, please contact your supplier if any question.

7. After-sale service:

This product is 1 year free warranty, lifelong technical maintenance. The warranty excludes improper connection to power supply, overload working, etc. Human damages and force majeure factors. Repair or replacement as provided under this warranty is the exclusive remedy of the customer. We shall not be liable for any incidental or consequential damages for breach of any stipulation in this warranty. For the sake of the convenience to repair, Please don't tear up or obliterate the label on product. This manual is only apply to this model, any update is subject to change without prior notice.

LT-3060 LED CV Power Repeater



USER MANUAL

LED Power Repeater is suitable for all of our company's power-output stylecontrollers' power expansion, it accepts PWM control, the control quantity of LED lights would be twice as much by adding one more power repeater, unlimited quantity of power repeater to be connected theoretically.

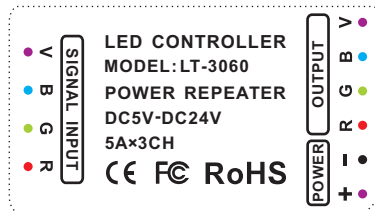
1. Product parameter

LT-3060 (Common Anode)	
Input voltage	DC5V ~ DC24V
Max load current	5A/CH×3
Max output power	75W(5V) 180W(12V) 360W(24V)
Working temperature	-30°C~55°C
Dimension	L121×W39×H39(mm)
Package Size	L123×W42×H42(mm)
Weight (G.W)	100g

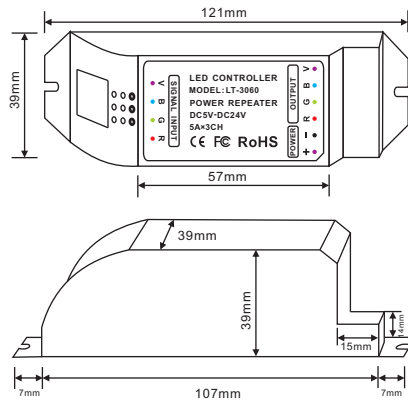
**2. Features**

1. 3 Channels RGB output, 5A/CH, total 15A.
2. Accept PWM control.
3. Unlimited connection quantity theoretically, unlimited power output expansion.
4. The in-phase possibility is not restricted by any numbers of repeaters, a number of repeaters work together are always synchronous.
5. Maximum length from controller to repeater can be 500meters.

**3. Product Label**

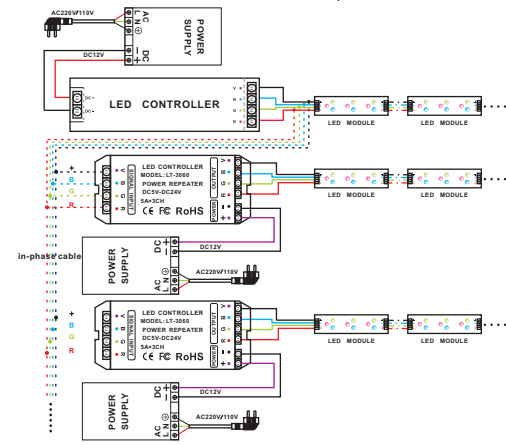


**4. Product Dimension**



**5. Conjunction Diagram**

1. Repeaters are all connected to controller in parallel.



2. DMX decoder connected to cv power repeater as follows

